

# Control Commands

Model No. **ET-YFB200G**



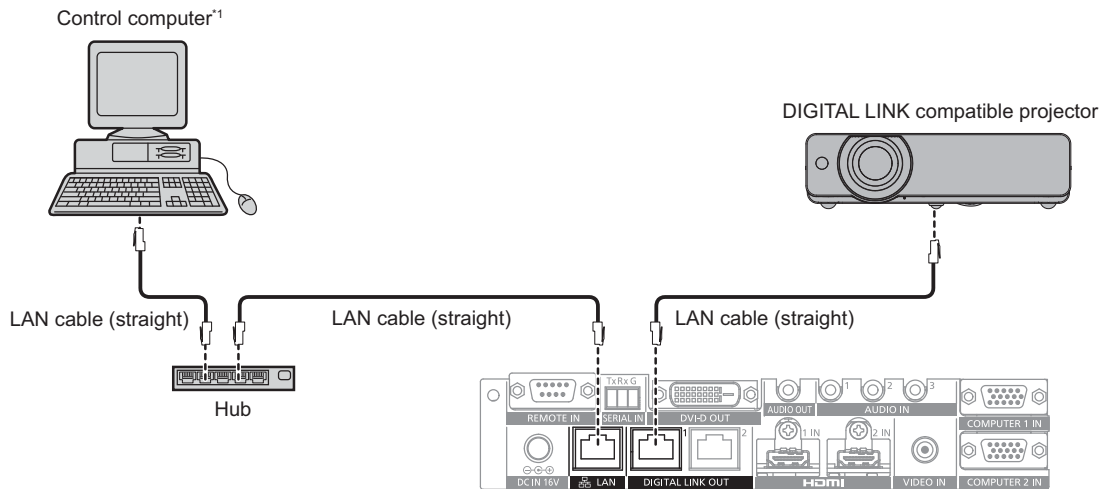
<b>1. CONTROL COMMANDS VIA LAN .....</b>	<b>5</b>
<b>2. CONTROL COMMANDS VIA SERIAL IN .....</b>	<b>8</b>
<b>3. BASIC CONTROL COMMAND .....</b>	<b>11</b>
3.1. AUTO SETUP [OAS].....	11
3.2. INPUT SELECT [IIS].....	11
3.3. MENU KEY [OMN].....	11
3.4. ENTER KEY [OEN].....	11
3.5. △ KEY [OCU].....	11
3.6. ▽ KEY [OCD].....	11
3.7. ◀ KEY [OCL].....	11
3.8. ▶ KEY [OCR].....	12
3.9. STANDARD(DEFAULT) KEY [OST].....	12
3.10. ASPECT KEY [VS1].....	12
3.11. VOLUME UP KEY [AUU].....	12
3.12. VOLUME DOWN KEY [AUD].....	12
3.13. RESPONSE (CALLBACK) ID - ALL [RVS].....	12
3.14. SYSTEM SELECTOR [ORF].....	12
3.15. SHIFT - HORIZONTAL [VTH].....	13
3.16. SHIFT - VERTICAL [VTV].....	13
3.17. ASPECT [VXX:OAS1].....	13
3.18. CLOCK PHASE [VCP].....	14
3.19. DIGITAL CINEMA REALITY [OPD].....	14
3.20. INPUT RESOLUTION - TOTAL DOTS [VTD].....	14
3.21. INPUT RESOLUTION - DISPLAY DOTS [VDD].....	14
3.22. INPUT RESOLUTION - TOTAL LINES [VTL].....	15
3.23. INPUT RESOLUTION - DISPLAY LINES [VDL].....	15
3.24. CLAMP POSITION [VLT].....	15
3.25. OVER SCAN [MOV].....	16
3.26. LANGUAGE [OLG].....	16
3.27. OSD DESIGN [MOD].....	16
3.28. OSD OUTPUT [VXX:OPPI1].....	16
3.29. COMPUTER 1 INPUT SETTING [VXX:RYCI1].....	17
3.30. SYNC SLICE LEVEL [VXX:STRI0].....	17
3.31. COMPUTER 2 EDID - MODE [VXX:EDMI1].....	17
3.32. COMPUTER2 EDID - RESOLUTION [VXX:EDRS1].....	18
3.33. COMPUTER2 EDID - VERTICAL SCAN FREQUENCY [VXX:EDVI1].....	19
3.34. HDMI2 EDID - MODE [VXX:EDMI3].....	19
3.35. HDMI2 EDID - RESOLUTION [VXX:EDRS3].....	19
3.36. HDMI2 EDID - VERTICAL SCAN FREQUENCY [VXX:EDVI3].....	20

3.37.	DIGITAL LINK OUT - FRAME LOCK [VXX:OFLI3].....	20
3.38.	DIGITAL LINK OUT - OUTPUT RESOLUTION [VXX: ORSS3].....	21
3.39.	DVI-D OUT - FRAME LOCK [VXX:OFLI1] .....	21
3.40.	DVI-D OUT - OUTPUT RESOLUTION [VXX: ORSS1] .....	22
3.41.	DVI-D OUT - FRAME LOCK [VXX:OFLI1] .....	22
3.42.	DVI-D OUT - CASCADE [VXX:CSCI1].....	22
3.43.	CLOSED CAPTION SETTING [OCC].....	23
3.44.	BACK COLOR [OBC].....	23
3.45.	NO SIGNAL SLEEP [VXX:NSLI1].....	23
3.46.	AUDIO SETTING - VOLUME [AVL] .....	23
3.47.	AUDIO SETTING - BALANCE [ABL].....	24
3.48.	AUDIO SETTING - AUDIO OUT SELECT [VXX:AOSI1].....	24
3.49.	AUDIO IN SELECT - HDMI 1 [VXX:AINI3] .....	24
3.50.	AUDIO IN SELECT - HDMI 2 [VXX:AINI7] .....	25
3.51.	AUDIO IN SELECT - COMPUTER 1 [VXX:AINI0].....	25
3.52.	AUDIO IN SELECT - COMPUTER 2 [VXX:AINI1].....	25
3.53.	AUDIO IN SELECT – VIDEO [VXX:AINI4] .....	26
3.54.	AUTO SETUP [VXX:ASSI1].....	26
3.55.	BACKUP INPUT MODE [VXX:BACI2] .....	26
3.56.	ID SETTING [RIS].....	26
3.57.	QUERY AUTO SETUP [QIN].....	27
3.58.	QUERY SYSTEM SELECTOR [QRF].....	27
3.59.	QUERY CLAMP POSITION [QLT] .....	27
3.60.	QUERY DIGITAL CINEMA REALITY [QPD].....	27
3.61.	QUERY SHIFT - HORIZONTAL [QTH] .....	28
3.62.	QUERY SHIFT - VERTICAL [QTV].....	28
3.63.	QUERY CLOCK PHASE [QCP].....	28
3.64.	QUERY OVER SCAN [QOV] .....	28
3.65.	QUERY ASPECT [QVX:OASI1].....	29
3.66.	QUERY INPUT RESOLUTION - TOTAL DOTS [QTD] .....	29
3.67.	QUERY INPUT RESOLUTION - DISPLAY DOTS [QDD] .....	29
3.68.	QUERY INPUT RESOLUTION - TOTAL LINES [QTL] .....	30
3.69.	QUERY INPUT RESOLUTION - DISPLAY LINES [QDL] .....	30
3.70.	QUERY LANGUAGE [QLG].....	30
3.71.	QUERY OSD DESIGN [QOD].....	30
3.72.	QUERY OSD OUTPUT [QVX:OOPI1] .....	31
3.73.	QUERY COMPUTER 1 INPUT SETTING [QVX:RYCI1] .....	31
3.74.	QUERY SYNC SLICE LEVEL [QVX:STRI0] .....	31
3.75.	QUERY COMPUTER2 EDID - MODE [QVX:EDMI1].....	31
3.76.	QUERY COMPUTER 2 EDID - RESOLUTION [QVX:EDRS1] .....	32
3.77.	QUERY COMPUTER 2 EDID - VERTICAL SCAN FREQUENCY [QVX:EDVI1] .....	32
3.78.	QUERY HDMI 2 EDID - MODE [QVX:EDMI3] .....	33

3.79.	QUERY HDMI 2 EDID - RESOLUTION [QVX:EDRS3].....	33
3.80.	QUERY HDMI 2 EDID - VERTICAL SCAN FREQUENCY [QVX:EDVI3].....	34
3.81.	QUERY DIGITAL LINK OUT - FRAME LOCK [QVX:OFLI3].....	34
3.82.	QUERY DIGITAL LINK OUT - OUTPUT RESOLUTION [QVX:ORSS3] .....	34
3.83.	QUERY DVI-D OUT - FRAME LOCK [QVX:OFLI1] .....	35
3.84.	QUERY DIGITAL LINK OUT - OUTPUT RESOLUTION [QVX:ORSS1] .....	35
3.85.	QUERY DVI-D OUT - CASCADE [QVX:CSCI1].....	36
3.86.	QUERY CLOSED CAPTION SETTING [QCC].....	36
3.87.	QUERY BACK COLOR [QBC] .....	36
3.88.	QUERY NO SIGNAL SLEEP [QVX:NSLI1].....	36
3.89.	QUERY AUDIO SETTING - VOLUME [QAV] .....	37
3.90.	QUERY AUDIO SETTING - BALANCE [QBL].....	37
3.91.	QUERY AUDIO SETTING - AUDIO OUT SELECT [QVX:AOSI1].....	37
3.92.	QUERY AUDIO IN SELECT - HDMI 1 [QVX:AINI3] .....	37
3.93.	QUERY AUDIO IN SELECT - HDMI 2 [QVX:AINI7] .....	38
3.94.	QUERY AUDIO IN SELECT - COMPUTER 1 [QVX:AINI0].....	38
3.95.	QUERY AUDIO IN SELECT - COMPUTER 2 [QVX:AINI1].....	38
3.96.	QUERY AUDIO IN SELECT - VIDEO [QVX:AINI4] .....	39
3.97.	QUERY AUTO SETUP [QVX:ASSI1].....	39
3.98.	QUERY BACKUP INPUT MODE [QVX:BACI2] .....	39
3.99.	QUERY DEVICE TYPE [QID] .....	39
3.100.	QUERY MAIN SOFTWARE VERSION [QVX:SVRS0].....	40
<b>4.</b>	<b>EXTENDED CONTROL COMMAND.....</b>	<b>40</b>

# 1. Control commands via LAN

## Connection example



\*1 Controls this device and the display (projector or flat panel display).

### Attention

- Do not use a hub to connect this device with the DIGITAL LINK compatible display (projector or flat panel display).
- Use the cable conforming to following conditions as the LAN cable between this device and the DIGITAL LINK compatible display (projector or flat panel display).
  - Conforming to the CAT5e or a higher standard
  - Shielded type (including connectors)
  - Straight wire
  - Single wire

## When web control administrator rights password is set (Protect mode)

### Connecting

- 1) Obtain the IP address and port number (Initial set value = 1024) of the display (projector or flat panel display) and request a connection to the display.
  - You can obtain both the IP address and the port number from the menu screen of the display main body.

<b>IP address</b>	Obtain from the [OPTION] menu → [NETWORK] → [NETWORK STATUS]
<b>Port number</b>	Obtain from the [OPTION] menu → [NETWORK] → [NETWORK CONTROL] → [COMMAND PORT]

- 2) Check the response from the display.

	Data section	Blank	Mode	Blank	Random number section	Termination symbol
<b>Command example</b>	"NTCONTROL" (ASCII string)	' '	'1'	' '	"zzzzzzzz" (ASCII code hexadecimal)	(CR) 0x0d
<b>Data length</b>	9 bytes	1 byte	1 byte	1 byte	8 bytes	1 byte

- Mode: 1 = Protect mode
- Example: Response during protect mode (random number section is undefined value)  
"NTCONTROL 1 23181e1e" (CR)

- 3) Generate a 32-byte hash value from the following data using MD5 algorithm.

- "xxxxxx:yyyy:zzzzzzzz"

<b>xxxxxx</b>	Administrator rights user name for the web control (default user name is "admin1")
<b>yyyyy</b>	Password of above administrator rights user (default password is "panasonic")
<b>zzzzzzzz</b>	8-byte random number obtained in Step 2)

## Command transmission method

Transmit using the following command formats.

### ■ Transmitted data

	Header			Data section	Termination symbol
<b>Command example</b>	Hash value "Connecting" (→ page 81)	'0' 0x30	'0' 0x30	Control command (ASCII string)	(CR) 0x0d
<b>Data length</b>	32 bytes	1 byte	1 byte	Undefined length	1 byte

- Example: Transmission of power supply status acquisition command (hash value is calculated from default user name, password, and acquired random number)  
"dbdd2dabd3d4d68c5dd970ec0c29fa6400QPW" (CR)

### ■ Received data

	Header		Data section	Termination symbol
<b>Command example</b>	'0' 0x30	'0' 0x30	Control command (ASCII string)	(CR) 0x0d
<b>Data length</b>	1 byte	1 byte	Undefined length	1 byte

- Example: The power of the device is turned on  
"00001" (CR)

### ■ Error response

	String	Details	Termination symbol
<b>Message</b>	"ERR1"	Undefined control command	(CR) 0x0d
	"ERR2"	Out of parameter range	
	"ERR3"	Busy state or no-acceptable period	
	"ERR4"	Timeout or no-acceptable period	
	"ERR5"	Wrong data length	
	"ERRA"	Password mismatch	
<b>Data length</b>	4 bytes	—	1 byte

## When web control administrator rights password is not set (Non-protect mode)

### Connecting

- 1) Obtain the IP address and port number (Initial set value = 1024) of the display (projector or flat panel display) and request a connection to the display.
  - You can obtain both the IP address and the port number from the menu screen of the display main body.

<b>IP address</b>	Obtain from the [OPTION] menu → [NETWORK] → [NETWORK STATUS]
<b>Port number</b>	Obtain from the [OPTION] menu → [NETWORK] → [NETWORK CONTROL] → [COMMAND PORT]

- 2) Check the response from the display.

	Data section	Blank	Mode	Termination symbol
<b>Command example</b>	"NTCONTROL" (ASCII string)	' ' 0x20	'0' 0x30	(CR) 0x0d
<b>Data length</b>	9 bytes	1 byte	1 byte	1 byte

- Mode: 0 = Non-protect mode
- Example: Response during non-protect mode  
"NTCONTROL 0" (CR)

## Command transmission method

Transmit using the following command formats.

### ■ Transmitted data

	Header		Data section	Termination symbol
<b>Command example</b>	'0' 0x30	'0' 0x30	Control command (ASCII string)	(CR) 0x0d
<b>Data length</b>	1 byte	1 byte	Undefined length	1 byte

- Example: Transmission of power supply status acquisition command  
"00QPW" (CR)

### ■ Received data

	Header		Data section	Termination symbol
<b>Command example</b>	'0' 0x30	'0' 0x30	Control command (ASCII string)	(CR) 0x0d
<b>Data length</b>	1 byte	1 byte	Undefined length	1 byte

- Example: The power of the device is in standby mode  
"00000" (CR)

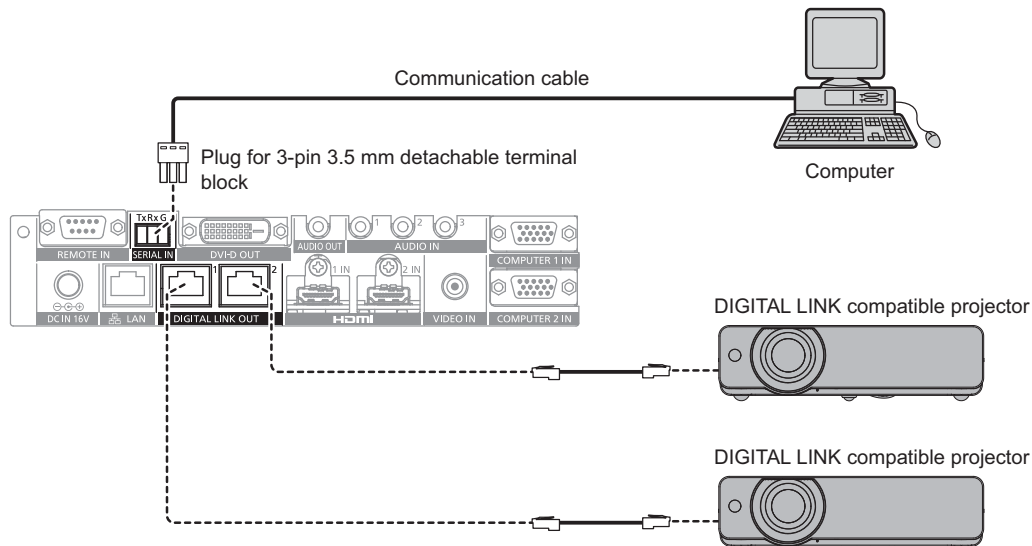
### ■ Error response

	String	Details	Termination symbol
<b>Message</b>	"ERR1"	Undefined control command	(CR) 0x0d
	"ERR2"	Out of parameter range	
	"ERR3"	Busy state or no-acceptable period	
	"ERR4"	Timeout or no-acceptable period	
	"ERR5"	Wrong data length	
	"ERRA"	Password mismatch	
<b>Data length</b>	4 bytes	—	1 byte

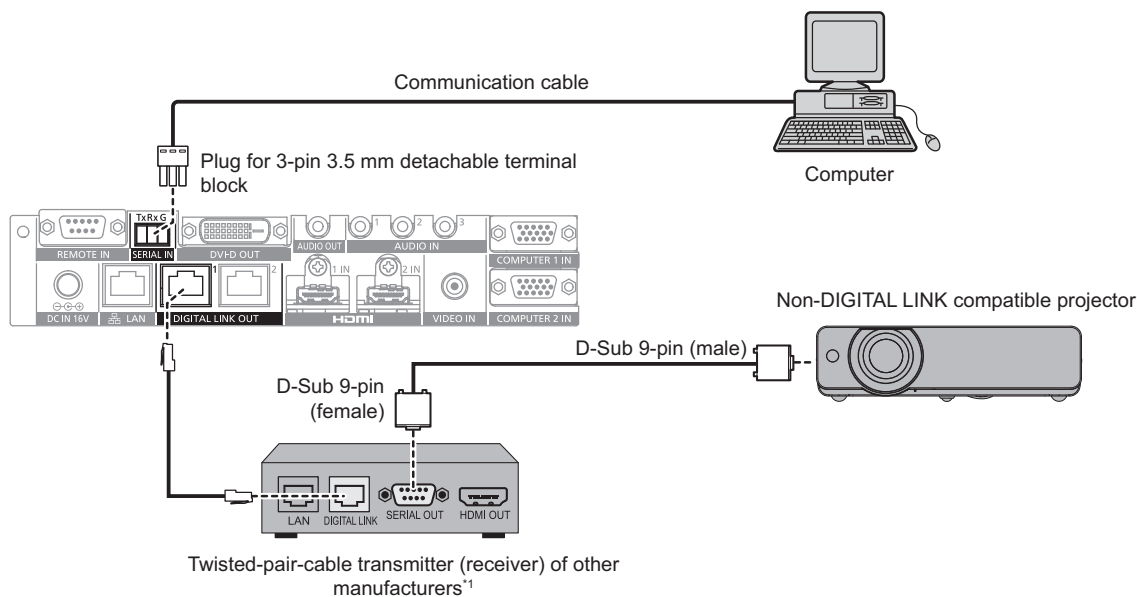
## 2. Control commands via SERIAL IN

### Connection example

#### ■ When connecting to the DIGITAL LINK compatible display



#### ■ When connecting to non-DIGITAL LINK compatible display



\*1 Name of the DIGITAL LINK terminal may differ depending on the manufacturer.

### Pin assignments and signal names

3-pin 3.5 mm removable terminal block Outside view	Pin No.	Signal name	Details
TxRxG  (1) → (3)	(1)	TXD	Transmitted data
	(2)	RXD	Received data
	(3)	GND	Earth

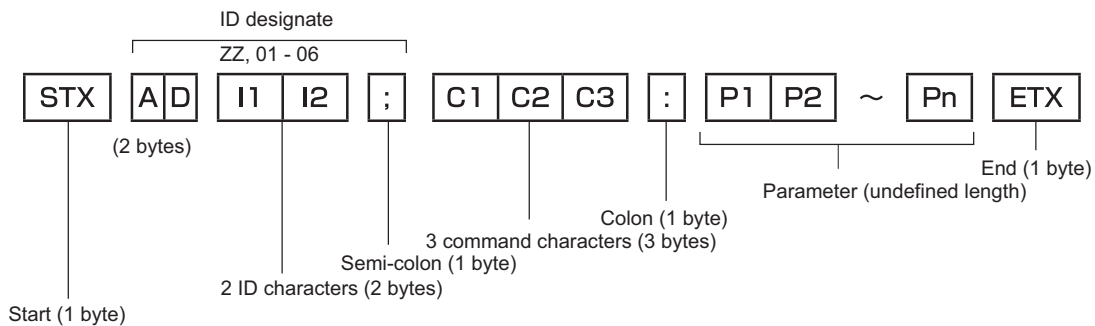


## Communication conditions (Factory default)

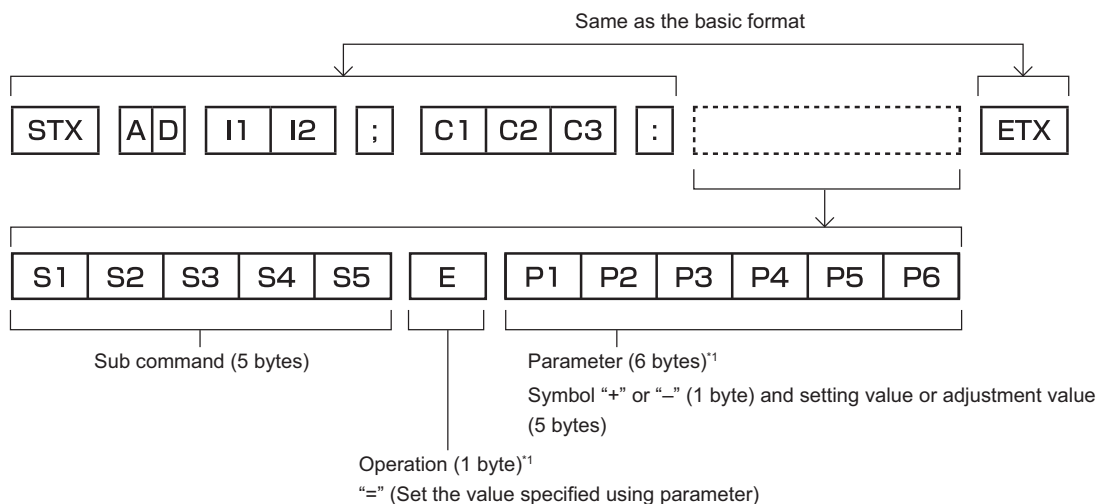
Signal level	RS-232C-compliant
Sync. method	Asynchronous
Baud rate	9 600 bps
Parity	None
Character length	8 bits
Stop bit	1 bit
X parameter	None
S parameter	None

## Basic format

Transmission from the computer starts with STX, then the ID, command, parameter, and ETX are sent in this order. Add parameters according to the details of control.



## Basic format (has subcommands)



\*1 When transmitting a command which does not need a parameter, an operation (E) and parameter are not necessary.

## Attention

- The response may be delayed or command may not be executed when a command is transmitted right after the power of the device is turned on. Try sending or receiving any command after 30 seconds.
- When transmitting multiple commands, be sure to wait until 0.5 seconds has elapsed after receiving the response from the device before sending the next command. When transmitting a command which does not need a parameter, a colon (:) is not necessary.

## Note

- If a command cannot be executed, the "ER401" response is sent from the device to the computer.
- If an invalid parameter is sent, the "ER402" response is sent from the device to the computer.
- ID transmission in RS-232C supports ZZ (ALL) and 01 to 06.
- If a command is sent with a specified ID, a response will be sent to the computer only in the following cases.
  - It matches the ID of the device
  - ID is designated as ALL and [RESPONSE(ID ALL)] is set to [ON]
  - ID is designated as GROUP and [RESPONSE(GROUP)] is set to [ON]
- Control of the device is performed only in the following cases when the command is sent with a specified ID.
  - It matches the ID of the device
  - ID is designated as ALL and [CONTROL(ID ALL)] is set to [ENABLE]
- STX and ETX are character codes. STX shown in hexadecimal is 02, and ETX shown in hexadecimal is 03.

## Controlling multiple devices

### Controlling all of the multiple devices

Perform following setting when multiple switchers and displays (projector or flat panel display) are to be controlled together by the RS-232C.

- 1) Set different ID for each device.
- 2) Set [RESPONSE(ID ALL)] to [ON] in a single device only.
- 3) Set [RESPONSE(ID ALL)] to [OFF] for devices other than one set in Step 2).

### Controlling multiple devices in group unit

Perform following setting when multiple switchers and displays (projector or flat panel display) are controlled in a group unit with RS-232C.

- 1) Set different ID for each device.
- 2) Set [RESPONSE(GROUP)] to [ON] in a single device only.
- 3) Set [RESPONSE(GROUP)] to [OFF] for devices other than one set in Step 2).

#### Note

- The device cannot respond correctly when [RESPONSE(ID ALL)] is set to [ON] on two or more devices.
- The device cannot respond correctly when [RESPONSE(GROUP)] is set to [ON] on two or more devices in the same group.
- To set multiple groups, set [RESPONSE(ID ALL)] to [ON] only on a single device in each group.

## Cable specification

Prepare a cable to connect the <SERIAL IN> terminal of this device and the serial terminal (RS-232C compliant) of the control computer using the supplied Plug for 3-pin 3.5 mm detachable terminal block.

Creation of a cable when the serial terminal of the computer is D-Sub 9-pin (male) is described here as an example. Purchase commercially available products for the D-Sub 9-pin (female) connector and lead wire necessary for the creation.

- Applicable wire for Plug for 3-pin 3.5 mm detachable terminal block: Diameter of the wire is AWG28 to AWG14.
- Use the lead wire with wire diameter that is applicable for both the Plug for 3-pin 3.5 mm detachable terminal block and the D-Sub 9-pin (female) connector (commercially available).

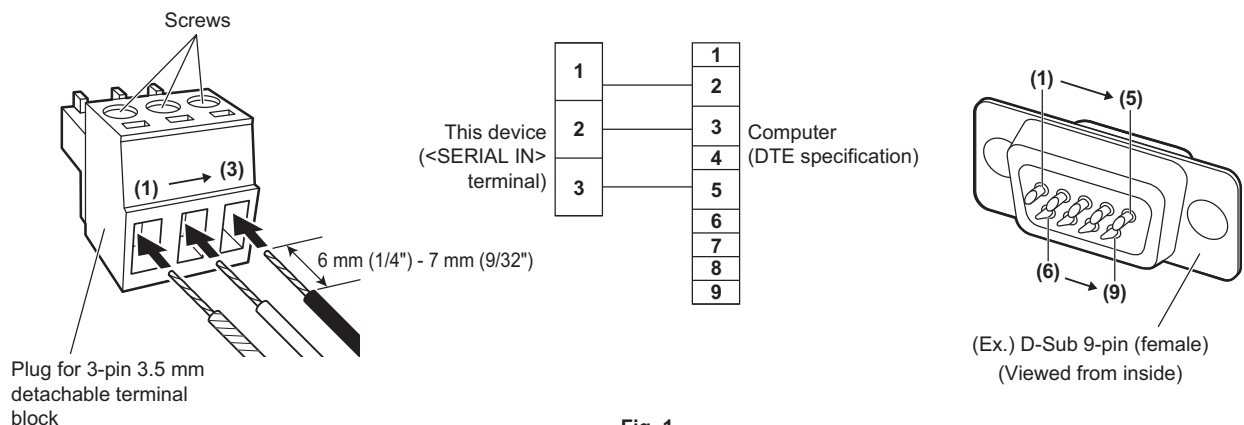


Fig. 1

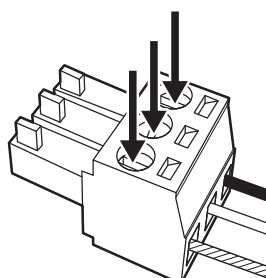


Fig. 2

- 1) Insert lead wires into the supplied Plug for 3-pin 3.5 mm detachable terminal block. (Fig. 1)
- 2) Tighten the screws of the Plug for 3-pin 3.5 mm detachable terminal block securely with a screwdriver and fix the lead wires. (Fig. 2)
- 3) Connect the other side of the lead wire to the corresponding pin of the D-Sub 9-pin (female) connector (Fig. 1).

### 3. BASIC CONTROL COMMAND

#### 3.1. AUTO SETUP [OAS]

Hexadecimal	02h	41h	44h	5Ah	5Ah	3Bh	4Fh	41h	53h	03h
Character		A	D	Z	Z	;	O	A	S	

■ Response (Callback)

In the period when the command can be accepted

Hexadecimal	02h	4Fh	41h	53h	03h
Character		O	A	S	

■ Note

- This function operates only when analog RGB signal (still image) or HDMI signal (still image and moving image) is input.

#### 3.2. INPUT SELECT [IIS]

Hexadecimal	02h	41h	44h	5Ah	5Ah	3Bh	49h	49h	53h	3Ah
Character		A	D	Z	Z	;	I	I	S	:
Hexadecimal	*1	*3	*5	03h						
Character	*2	*4	*6							

■ Parameters(\*1,\*2,\*3,\*4,\*5,\*6)

	HDMI 1			HDMI 2			COMPUTER 1		
Hexadecimal	48h	44h	31h	48h	44h	32h	50h	43h	31h
Character	H	D	1	H	D	2	P	C	1
	COMPUTER 2			VIDEO					
Hexadecimal	50h	43h	32h	56h	49h	44h			
Character	P	C	2	V	I	D			

■ Response (Callback)

In the period when the command can be accepted

Hexadecimal	02h	49h	49h	53h	3Ah	*1	*3	*5	03h
Character		I	I	S	:	*2	*4	*6	

■ Note

- The REMOTE will be priority. If REMOTE is enabled, it will return the ER402.

#### 3.3. MENU KEY [OMN]

Hexadecimal	02h	41h	44h	5Ah	5Ah	3Bh	4Fh	4Dh	4Eh	03h
Character		A	D	Z	Z	;	O	M	N	

■ Response (Callback)

Hexadecimal	02h	4Fh	4Dh	4Eh	03h
Character		O	M	N	

#### 3.4. ENTER KEY [OEN]

Hexadecimal	02h	41h	44h	5Ah	5Ah	3Bh	4Fh	45h	4Eh	03h
Character		A	D	Z	Z	;	O	E	N	

■ Response (Callback)

Hexadecimal	02h	4Fh	45h	4Eh	03h
Character		O	E	N	

#### 3.5. ▲ KEY [OCU]

Hexadecimal	02h	41h	44h	5Ah	5Ah	3Bh	4Fh	43h	55h	03h
Character		A	D	Z	Z	;	O	C	U	

■ Response (Callback)

Hexadecimal	02h	4Fh	43h	55h	03h
Character		O	C	U	

#### 3.6. ▼ KEY [OCD]

Hexadecimal	02h	41h	44h	5Ah	5Ah	3Bh	4Fh	43h	44h	03h
Character		A	D	Z	Z	;	O	C	D	

■ Response (Callback)

Hexadecimal	02h	4Fh	43h	44h	03h
Character		O	C	D	

#### 3.7. ◀ KEY [OCL]

Hexadecimal	02h	41h	44h	5Ah	5Ah	3Bh	4Fh	43h	4Ch	03h
Character		A	D	Z	Z	;	O	C	L	

■ Response (Callback)

Hexadecimal	02h	4Fh	43h	4Ch	03h
Character		O	C	L	

### 3.8. ► KEY [OCR]

Hexadecimal	02h	41h	44h	5Ah	5Ah	3Bh	4Fh	43h	52h	03h
Character		A	D	Z	Z	;	O	C	R	

#### ■ Response (Callback)

Hexadecimal	02h	4Fh	43h	52h	03h
Character		O	C	R	

### 3.9. STANDARD(DEFAULT) KEY [OST]

Hexadecimal	02h	41h	44h	5Ah	5Ah	3Bh	4Fh	53h	54h	03h
Character		A	D	Z	Z	;	O	S	T	

#### ■ Response (Callback)

Hexadecimal	02h	4Fh	53h	54h	03h
Character		O	S	T	

### 3.10. ASPECT KEY [VS1]

Hexadecimal	02h	41h	44h	5Ah	5Ah	3Bh	56h	53h	31h	03h
Character		A	D	Z	Z	;	V	S	1	

#### ■ Response (Callback)

Hexadecimal	02h	56h	53h	31h	03h
Character		V	S	1	

### 3.11. VOLUME UP KEY [AUU]

Hexadecimal	02h	41h	44h	5Ah	5Ah	3Bh	41h	55h	55h	03h
Character		A	D	Z	Z	;	A	U	U	

#### ■ Response (Callback)

Hexadecimal	02h	41h	55h	55h	03h
Character		A	U	U	

### 3.12. VOLUME DOWN KEY [AUD]

Hexadecimal	02h	41h	44h	5Ah	5Ah	3Bh	41h	55h	44h	03h
Character		A	D	Z	Z	;	A	U	D	

#### ■ Response (Callback)

Hexadecimal	02h	41h	55h	44h	03h
Character		A	U	D	

### 3.13. RESPONSE (CALLBACK) ID - ALL [RVS]

Hexadecimal	02h	41h	44h	5Ah	5Ah	3Bh	52h	56h	53h	3Ah	*1	03h
Character		A	D	Z	Z	;	R	V	S	:	*2	

#### ■ Parameters(\*1,\*2)

	OFF	ON
Hexadecimal	30h	31h
Character	0	1

#### ■ Response (Callback)

Hexadecimal	02h	52h	56h	53h	3Ah	*1	03h
Character		R	V	S	:	*2	

### 3.14. SYSTEM SELECTOR [ORF]

Hexadecimal	02h	41h	44h	5Ah	5Ah	3Bh	4Fh	52h	46h	3Ah
Character		A	D	Z	Z	;	O	R	F	:

Hexadecimal	*1	03h
Character	*2	

#### ■ Parameters(\*1,\*2)

	RGB(VGA60)	YPbPr/YCbCr	AUTO	480pRGB
Hexadecimal	30h	31h	32h	33h
Character	0	1	2	3

#### ■ Response (Callback)

Hexadecimal	02h	4Fh	52h	46h	3Ah	*1	03h
Character		O	R	F	:	*2	

3.15. SHIFT - HORIZONTAL [VTH]

Hexadecimal	02h	41h	44h	5Ah	5Ah	3Bh	56h	54h	48h	3Ah
Character		A	D	Z	Z	;	V	T	H	:
Hexadecimal	*1	*3	*5	*7	03h					
Character	*2	*4	*6	*8						

■ Parameters(\*1,\*2,\*3,\*4,\*5,\*6,\*7,\*8)

	0				1				2			
Hexadecimal	30h	30h	30h	30h	30h	30h	30h	31h	30h	30h	30h	32h
Character	0	0	0	0	0	0	0	1	0	0	0	2
	4093				4094				4095			
Hexadecimal	34h	30h	39h	33h	34h	30h	39h	34h	34h	30h	39h	35h
Character	4	0	9	3	4	0	9	4	4	0	9	5

■ Response (Callback)

Hexadecimal	02h	56h	54h	48h	3Ah	*1	*3	*5	*7	03h
Character		V	T	H	:	*2	*4	*6	*8	

■ Note

- Adjustable maximum value varies according to the input resolution and the input signal setting.
- Minimum value : 0, Maximum value : Total dots - 1

3.16. SHIFT - VERTICAL [VTV]

Hexadecimal	02h	41h	44h	5Ah	5Ah	3Bh	56h	54h	56h	3Ah
Character		A	D	Z	Z	;	V	T	V	:
Hexadecimal	*1	*3	*5	*7	03h					
Character	*2	*4	*6	*8						

■ Parameters(\*1,\*2,\*3,\*4,\*5,\*6,\*7,\*8)

	0				1				2			
Hexadecimal	30h	30h	30h	30h	30h	30h	30h	31h	30h	30h	30h	32h
Character	0	0	0	0	0	0	0	1	0	0	0	2
	4092				4093				4094			
Hexadecimal	34h	30h	39h	32h	34h	30h	39h	33h	34h	30h	39h	34h
Character	4	0	9	2	4	0	9	3	4	0	9	4

■ Response (Callback)

Hexadecimal	02h	56h	54h	56h	3Ah	*1	*3	*5	*7	03h
Character		V	T	V	:	*2	*4	*6	*8	

■ Note

- Adjustable maximum value varies according to the input resolution and the input signal setting.
- Minimum value : 0, maximum value : Total lines - 1

3.17. ASPECT [VXX:OAS11]

Hexadecimal	02h	41h	44h	5Ah	5Ah	3Bh	56h	58h	58h	3Ah
Character		A	D	Z	Z	;	V	X	X	:
Hexadecimal	02h	41h	44h	5Ah	5Ah	3Bh	56h	*1	*3	*5
Character	O	A	S	I	1	=	+	*2	*4	*6
Hexadecimal	*7	*9	03h							
Character	*8	*10								

■ Parameters(\*1,\*2,\*3,\*4,\*5,\*6,\*7,\*8,\*9,\*10)

	AUTO					NORMAL					WIDE				
Hexadecimal	30h	30h	30h	30h	30h	30h	30h	30h	30h	31h	30h	30h	30h	30h	32h
Character	0	0	0	0	1	0	0	0	0	2	0	0	0	0	3
	NATIVE					FULL					H-FIT				
Hexadecimal	30h	30h	30h	30h	33h	30h	30h	30h	30h	35h	30h	30h	30h	30h	36h
Character	0	0	0	0	3	0	0	0	0	5	0	0	0	0	6
	V-FIT					S16:9									
Hexadecimal	30h	30h	30h	30h	37h	30h	30h	30h	31h	31h					
Character	0	0	0	0	7	0	0	0	1	1					

■ Response (Callback)

Hexadecimal	02h	56h	58h	58h	3Ah	4Fh	4Dh	59h	49h	31h
Character		V	X	X	:	O	A	S	I	1
Hexadecimal	3Dh	2Bh	*1	*3	*5	*7	*9	03h		
Character	=	+	*2	*4	*6	*8	*10			

### 3.18. CLOCK PHASE [VCP]

Hexadecimal	02h	41h	44h	5Ah	5Ah	3Bh	56h	43h	50h	3Ah
Character		A	D	Z	Z	;	V	C	P	:
Hexadecimal	*1	*3	*5	03h						
Character	*2	*4	*6							

■ Parameters(\*1,\*2,\*3,\*4,\*5,\*6)

	0			1			2		
Hexadecimal	30h	30h	30h	30h	30h	31h	30h	30h	32h
Character	0	0	0	0	0	1	0	0	2
	29			30			31		
Hexadecimal	30h	32h	39h	30h	33h	30h	30h	33h	31h
Character	0	2	9	0	3	0	0	3	1

■ Response (Callback)

Hexadecimal	02h	56h	43h	50h	3Ah	*1	*3	*5	03h
Character		V	C	P	:	*2	*4	*6	

■ Note

- It is only effective for input selection of RGB1 or RGB2.

### 3.19. DIGITAL CINEMA REALITY [OPD]

Hexadecimal	02h	41h	44h	5Ah	5Ah	3Bh	4Fh	50h	44h	3Ah
Character		A	D	Z	Z	;	O	P	D	:
Hexadecimal	*1	03h								
Character	*2									

■ Parameters(\*1,\*2)

	AUTO		OFF		30p/25p FIXED	
Hexadecimal	30h		31h		32h	
Character	0		1		2	

■ Response (Callback)

Hexadecimal	02h	4Fh	50h	44h	3Ah	*1	03h
Character		O	P	D	:	*2	

### 3.20. INPUT RESOLUTION - TOTAL DOTS [VTD]

Hexadecimal	02h	41h	44h	5Ah	5Ah	3Bh	56h	54h	44h	3Ah
Character		A	D	Z	Z	;	V	T	D	:
Hexadecimal	*1	*3	*5	*7	03h					
Character	*2	*4	*6	*8						

■ Parameters(\*1,\*2,\*3,\*4,\*5,\*6,\*7,\*8)

	330				331			
Hexadecimal	30h	33h	33h	30h	30h	33h	33h	31h
Character	0	3	3	0	0	3	3	1
	4094				4095			
Hexadecimal	34h	30h	39h	34h	34h	30h	39h	35h
Character	4	0	9	4	4	0	9	5

■ Response (Callback)

Hexadecimal	02h	56h	54h	44h	3Ah	*1	*3	*5	*7	03h
Character		V	T	D	:	*2	*4	*6	*8	

■ Note

- Adjustable maximum value varies according to the input resolution and the input signal setting.
- COMPUTER 1/2 channel input only adjustable.

### 3.21. INPUT RESOLUTION - DISPLAY DOTS [VDD]

Hexadecimal	02h	41h	44h	5Ah	5Ah	3Bh	56h	44h	44h	3Ah
Character		A	D	Z	Z	;	V	D	D	:
Hexadecimal	*1	*3	*5	*7	03h					
Character	*2	*4	*6	*8						

■ Parameters(\*1,\*2,\*3,\*4,\*5,\*6,\*7,\*8)

	300				301			
Hexadecimal	30h	33h	30h	30h	30h	33h	30h	31h
Character	0	3	0	0	0	3	0	1
	4064				4065			
Hexadecimal	34h	30h	36h	34h	34h	30h	36h	35h
Character	4	0	6	4	4	0	6	5

■ Response (Callback)

Hexadecimal	02h	56h	44h	44h	3Ah	*1	*3	*5	*7	03h
Character		V	D	D	:	*2	*4	*6	*8	

■ Note

- Adjustable maximum value varies according to the input resolution and the input signal setting.
- COMPUTER 1/2 channel input only adjustable.

### 3.22. INPUT RESOLUTION - TOTAL LINES [VTL]

Hexadecimal	02h	41h	44h	5Ah	5Ah	3Bh	56h	54h	4Ch	3Ah
Character		A	D	Z	Z	;	V	T	L	:
Hexadecimal	*1	*3	*5	*7	03h					
Character	*2	*4	*6	*8						

■ Parameters(\*1,\*2,\*3,\*4,\*5,\*6,\*7,\*8)

	155				156			
Hexadecimal	30h	31h	35h	35h	30h	31h	35h	36h
Character	0	1	5	5	0	1	5	6
	2046				2047			
Hexadecimal	24h	30h	34h	36h	32h	30h	34h	37h
Character	2	0	4	6	2	0	4	7

■ Response (Callback)

Hexadecimal	02h	56h	54h	4Ch	3Ah	*1	*3	*5	*7	03h
Character		V	T	L	:	*2	*4	*6	*8	

■ Note

- Adjustable maximum value varies according to the input resolution and the input signal setting.
- When a parameter value is less than DISPLAY LINES plus 10, will return ER402.

### 3.23. INPUT RESOLUTION - DISPLAY LINES [VDL]

Hexadecimal	02h	41h	44h	5Ah	5Ah	3Bh	56h	44h	4Ch	3Ah
Character		A	D	Z	Z	;	V	D	L	:
Hexadecimal	*1	*3	*5	*7	03h					
Character	*2	*4	*6	*8						

■ Parameters(\*1,\*2,\*3,\*4,\*5,\*6,\*7,\*8)

	150				151			
Hexadecimal	30h	31h	35h	30h	30h	31h	35h	31h
Character	0	1	5	0	0	1	5	1
	2036				2037			
Hexadecimal	32h	30h	33h	36h	32h	30h	33h	37h
Character	2	0	3	6	2	0	3	7

■ Response (Callback)

Hexadecimal	02h	56h	44h	4Ch	3Ah	*1	*3	*5	*7	03h
Character		V	D	L	:	*2	*4	*6	*8	

■ Note

- Adjustable maximum value varies according to the input resolution and the input signal setting.
- COMPUTER 1/2 channel input only adjustable.

### 3.24. CLAMP POSITION [VLT]

Hexadecimal	02h	41h	44h	5Ah	5Ah	3Bh	56h	4Ch	54h	3Ah
Character		A	D	Z	Z	;	V	L	T	:
Hexadecimal	*1	*3	*5	03h						
Character	*2	*4	*6							

■ Parameters(\*1,\*2,\*3,\*4,\*5,\*6)

	1			2		
Hexadecimal	30h	30h	31h	30h	30h	32h
Character	0	0	1	0	0	2
	254			255		
Hexadecimal	32h	35h	34h	32h	35h	35h
Character	2	5	4	2	5	5

■ Response (Callback)

Hexadecimal	02h	56h	4Ch	54h	3Ah	*1	*3	*5	03h
Character		V	L	T	:	*2	*4	*6	

■ Note

- COMPUTER 1/2 channel input only adjustable.

### 3.25. OVER SCAN [MOV]

Hexadecimal	02h	41h	44h	5Ah	5Ah	3Bh	4Dh	4Fh	56h	3Ah
Character		A	D	Z	Z	;	M	O	V	:
Hexadecimal	*1	*3	*5	03h						
Character	*2	*4	*6							

■ Parameters(\*1,\*2,\*3,\*4,\*5,\*6,\*7,\*8,\*9,\*10)

	0			1			2		
Hexadecimal	30h	30h	30h	30h	30h	31h	30h	30h	32h
Character	0	0	0	0	0	1	0	0	2
	8			9			10		
Hexadecimal	30h	30h	38h	30h	30h	39h	30h	31h	30h
Character	0	0	8	0	0	9	0	1	0

■ Response (Callback)

Hexadecimal	02h	4Dh	4Fh	56h	3Ah	*1	*3	*5	03h
Character		M	O	V	:	*2	*4	*6	

### 3.26. LANGUAGE [OLG]

Hexadecimal	02h	41h	44h	5Ah	5Ah	3Bh	4Fh	4Ch	47h	3Ah
Character		A	D	Z	Z	;	O	L	G	:
Hexadecimal	*1	*3	*5	03h						
Character	*2	*4	*6							

■ Parameters(\*1,\*2,\*3,\*4,\*5,\*6)

	English			German			French		
Hexadecimal	45h	4Eh	47h	44h	45h	55h	46h	52h	41h
Character	E	N	G	D	E	U	F	R	A
	Spanish			Japanese					
Hexadecimal	45h	4Ah	4Ah	4Ah	54h	4Ch			
Character	E	J	J	J	T	L			

■ Response (Callback)

Hexadecimal	02h	4Fh	4Ch	47h	3Ah	*1	*3	*5	03h
Character		O	L	G	:	*2	*4	*6	

### 3.27. OSD DESIGN [MOD]

Hexadecimal	02h	41h	44h	5Ah	5Ah	3Bh	4Dh	4Fh	44h	3Ah
Character		A	D	Z	Z	;	M	O	D	:
Hexadecimal	*1	03h								
Character	*2									

■ Parameters(\*1,\*2)

	TYPE1	TYPE2
Hexadecimal	30h	31h
Character	0	1

■ Response (Callback)

Hexadecimal	02h	4Dh	4Fh	44h	3Ah	*1	03h
Character		M	O	D	:	*2	

### 3.28. OSD OUTPUT [VXX:OPPI1]

Hexadecimal	02h	41h	44h	5Ah	5Ah	3Bh	56h	58h	58h	3Ah	4Fh	50h
Character		A	D	Z	Z	;	V	X	X	:	O	P
Hexadecimal	50h	49h	30h	3Dh	2Bh	*1	*3	*5	*7	*9	03h	
Character	P	I	1	=	+	*2	*4	*6	*8	*10		

■ Parameters(\*1,\*2,\*3,\*4,\*5,\*6,\*7,\*8,\*9,\*10)

	DVI-D/DIGITAL LINK					DVI-D				
Hexadecimal	30h	30h	30h	31h	31h	30h	30h	30h	30h	31h
Character	0	0	0	1	1	0	0	0	0	1

■ Response (Callback)

Hexadecimal	02h	56h	58h	58h	3Ah	4Fh	50h	50h	49h	31h
Character		V	X	X	:	O	P	P	I	1
Hexadecimal	3Dh	2Bh	*1	*3	*5	*7	*9	03h		
Character	=	+	*2	*4	*6	*8	*10			



3.29. COMPUTER 1 INPUT SETTING [VXX:RYCI1]

Hexadecimal	02h	41h	44h	5Ah	5Ah	3Bh	56h	58h	58h	3Ah
Character		A	D	Z	Z	;	V	X	X	:
Hexadecimal	52h	59h	43h	49h	31h	3Dh	2Bh	*1	*3	*5
Character	R	Y	C	l	1	=	+	*2	*4	*6
Hexadecimal	*7	*9	03h							
Character	*8	*10								

■ Parameters(\*1,\*2,\*3,\*4,\*5,\*6,\*7,\*8,\*9,\*10)

	RGB/YPBPR					Y/C				
Hexadecimal	30h	30h	30h	30h	30h	30h	30h	30h	30h	31h
Character	0	0	0	0	0	0	0	0	0	1

■ Response (Callback)

Hexadecimal	02h	56h	58h	58h	3Ah	52h	59h	43h	49h	31h
Character		V	X	X	:	R	Y	C	l	1
Hexadecimal	3Dh	2Bh	*1	*3	*5	*7	*9	03h		
Character	=	+	*2	*4	*6	*8	*10			

3.30. SYNC SLICE LEVEL [VXX:STRI0]

Hexadecimal	02h	41h	44h	5Ah	5Ah	3Bh	56h	58h	58h	3Ah
Character		A	D	Z	Z	;	V	X	X	:
Hexadecimal	53h	54h	52h	49h	30h	3Dh	2Bh	*1	*3	*5
Character	S	T	R	l	0	=	+	*2	*4	*6
Hexadecimal	*7	*9	03h							
Character	*8	*10								

■ Parameters(\*1,\*2,\*3,\*4,\*5,\*6,\*7,\*8,\*9,\*10)

	LOW					HIGH				
Hexadecimal	30h	30h	30h	30h	30h	30h	30h	30h	30h	31h
Character	0	0	0	0	0	0	0	0	0	1

■ Response (Callback)

Hexadecimal	02h	56h	58h	58h	3Ah	53h	54h	52h	49h	30h
Character		V	X	X	:	S	T	R	l	0
Hexadecimal	3Dh	2Bh	*1	*3	*5	*7	*9	03h		
Character	=	+	*2	*4	*6	*8	*10			

3.31. COMPUTER 2 EDID - MODE [VXX:EDMI1]

Hexadecimal	02h	41h	44h	5Ah	5Ah	3Bh	56h	58h	58h	3Ah
Character		A	D	Z	Z	;	V	X	X	:
Hexadecimal	45h	44h	4Dh	49h	31h	3Dh	2Bh	*1	*3	*5
Character	E	D	M	l	1	=	+	*2	*4	*6
Hexadecimal	*7	*9	03h							
Character	*8	*10								

■ Parameters(\*1,\*2,\*3,\*4,\*5,\*6,\*7,\*8,\*9,\*10)

	DEFAULT					COPY				
Hexadecimal	30h	30h	30h	30h	30h	30h	30h	31h	30h	30h
Character	0	0	0	0	0	0	0	1	0	0
	USER									
Hexadecimal	30h	30h	30h	31h	30h					
Character	0	0	0	1	0					

■ Response (Callback)

Hexadecimal	02h	56h	58h	58h	3Ah	45h	44h	4Dh	49h	31h
Character		V	X	X	:	E	D	M	l	1
Hexadecimal	3Dh	2Bh	*1	*3	*5	*7	*9	03h		
Character	=	+	*2	*4	*6	*8	*10			

3.32. COMPUTER2 EDID - RESOLUTION [VXX: EDRS1]

Hexadecimal	02h	41h	44h	5Ah	5Ah	3Bh	56h	58h	58h	3Ah
Character		A	D	Z	Z	:	V	X	X	:
Hexadecimal	45h	44h	52h	53h	31h	3Dh	*1	*3	*5	*7
Character	E	D	R	S	1	=	*2	*4	*6	*8
Hexadecimal	*9	*11	*13	*15	*17	*19	*21			
Character	*10	*12	*14	*16	*18	*20	*22			

■ Parameters(\*1,\*2,\*3,\*4,\*5,\*6,\*7,\*8,\*9,\*10,\*11,\*12,\*13,\*14,\*15,\*16,\*17,\*18,\*19,\*20,\*21,\*22)

1024x768p											
Hexadecimal	31h	30h	32h	34h	3Ah	30h	37h	36h	38h	3Ah	70h
Character	1	0	2	4	:	0	7	6	8	:	p
1280x720p											
Hexadecimal	31h	30h	32h	34h	3Ah	30h	37h	32h	30h	3Ah	70h
Character	1	2	8	0	:	0	7	2	0	:	p
1280x768p											
Hexadecimal	31h	30h	32h	34h	3Ah	30h	37h	36h	38h	3Ah	70h
Character	1	2	8	0	:	0	7	6	8	:	p
1280x800p											
Hexadecimal	31h	30h	32h	34h	3Ah	30h	38h	30h	30h	3Ah	70h
Character	1	2	8	0	:	0	8	0	0	:	p
1280x1024p											
Hexadecimal	31h	30h	32h	34h	3Ah	31h	30h	32h	34h	3Ah	70h
Character	1	2	8	0	:	1	0	2	4	:	p
1366x768p											
Hexadecimal	31h	33h	36h	36h	3Ah	30h	37h	36h	38h	3Ah	70h
Character	1	3	6	6	:	0	7	6	8	:	p
1400x1050p											
Hexadecimal	31h	34h	30h	30h	3Ah	31h	30h	35h	30h	3Ah	70h
Character	1	4	0	0	:	1	0	5	0	:	p
1440x900p											
Hexadecimal	31h	34h	34h	30h	3Ah	30h	39h	30h	30h	3Ah	70h
Character	1	4	4	0	:	0	9	0	0	:	p
1600x900p											
Hexadecimal	31h	36h	30h	30h	3Ah	30h	39h	30h	30h	3Ah	70h
Character	1	6	0	0	:	0	9	0	0	:	p
1600x1200p											
Hexadecimal	31h	36h	30h	30h	3Ah	31h	32h	30h	30h	3Ah	70h
Character	1	6	0	0	:	1	2	0	0	:	p
1680x1050p											
Hexadecimal	31h	36h	38h	30h	3Ah	31h	30h	35h	30h	3Ah	70h
Character	1	6	8	0	:	1	0	5	0	:	p
1920x1080p											
Hexadecimal	31h	39h	32h	30h	3Ah	31h	30h	38h	30h	3Ah	70h
Character	1	9	2	0	:	1	0	8	0	:	p
1920x1080i											
Hexadecimal	31h	39h	32h	30h	3Ah	30h	30h	38h	30h	3Ah	69h
Character	1	9	2	0	:	1	0	8	0	:	i
1920x1200p											
Hexadecimal	31h	39h	32h	30h	3Ah	31h	30h	30h	30h	3Ah	70h
Character	1	9	2	0	:	1	2	0	0	:	p

■ Response (Callback)

Hexadecimal	02h	56h	58h	58h	3Ah	45h	44h	52h	53h	31h
Character		V	X	X	:	E	D	R	S	1
Hexadecimal	3Dh	2Bh	*1	*3	*5	*7	*9	03h		
Character	=	+	*2	*4	*6	*8	*10			

3.33. COMPUTER2 EDID - VERTICAL SCAN FREQUENCY [VXX: EDVI1]

Hexadecimal	02h	41h	44h	5Ah	5Ah	3Bh	56h	58h	58h	3Ah
Character		A	D	Z	Z	:	V	X	X	:
Hexadecimal	45h	44h	56h	49h	31h	3Dh	2Bh	*1	*3	*5
Character	E	D	V	I	1	=	+	*2	*4	*6
Hexadecimal	*7	*9	03h							
Character	*8	*10								

■ Parameters(\*1,\*2,\*3,\*4,\*5,\*6,\*7,\*8,\*9,\*10)

	60Hz					50Hz				
Hexadecimal	30h	36h	30h	30h	30h	30h	35h	30h	30h	30h
Character	0	6	0	0	0	0	5	0	0	0
	48Hz					30Hz				
Hexadecimal	30h	34h	38h	30h	30h	30h	33h	30h	30h	30h
Character	0	4	8	0	0	0	3	0	0	0
	25Hz					24Hz				
Hexadecimal	30h	32h	35h	30h	30h	30h	32h	34h	30h	30h
Character	0	2	5	0	0	0	2	4	0	0

■ Response (Callback)

Hexadecimal	02h	56h	58h	58h	3Ah	45h	44h	56h	49h	31h
Character		V	X	X	:	E	D	V	I	1
Hexadecimal	3Dh	2Bh	*1	*3	*5	*7	*9	03h		
Character	=	+	*2	*4	*6	*8	*10			

3.34. HDMI2 EDID - MODE [VXX:EDMI3]

Hexadecimal	02h	41h	44h	5Ah	5Ah	3Bh	56h	58h	58h	3Ah
Character		A	D	Z	Z	:	V	X	X	:
Hexadecimal	45h	44h	4Dh	49h	33h	3Dh	2Bh	*1	*3	*5
Character	E	D	M	I	3	=	+	*2	*4	*6
Hexadecimal	*7	*9	03h							
Character	*8	*10								

■ Parameters(\*1,\*2,\*3,\*4,\*5,\*6,\*7,\*8,\*9,\*10)

	DEFAULT					COPY				
Hexadecimal	30h	30h	30h	30h	30h	30h	30h	31h	30h	30h
Character	0	0	0	0	0	0	0	1	0	0
	USER									
Hexadecimal	30h	30h	30h	31h	30h					
Character	0	0	0	1	0					

■ Response (Callback)

Hexadecimal	02h	56h	58h	58h	3Ah	45h	44h	4Dh	49h	33h
Character		V	X	X	:	E	D	M	I	3
Hexadecimal	3Dh	2Bh	*1	*3	*5	*7	*9	03h		
Character	=	+	*2	*4	*6	*8	*10			

3.35. HDMI2 EDID - RESOLUTION [VXX:EDRS3]

Hexadecimal	02h	41h	44h	5Ah	5Ah	3Bh	56h	58h	58h	3Ah
Character		A	D	Z	Z	:	V	X	X	:
Hexadecimal	45h	44h	52h	53h	33h	3Dh	*1	*3	*5	*7
Character	E	D	R	S	3	=	*2	*4	*6	*8
Hexadecimal	*9	*11	*13	*15	*17	*19	*21			
Character	*10	*12	*14	*16	*18	*20	*22			

■ Parameters(\*1,\*2,\*3,\*4,\*5,\*6,\*7,\*8,\*9,\*10,\*11,\*12,\*13,\*14,\*15,\*16,\*17,\*18,\*19,\*20,\*21,\*22)

	1024x768p										
Hexadecimal	31h	30h	32h	34h	3Ah	30h	37h	36h	38h	3Ah	70h
Character	1	0	2	4	:	0	7	6	8	:	p
	1280x720p										
Hexadecimal	31h	30h	32h	34h	3Ah	30h	37h	32h	30h	3Ah	70h
Character	1	2	8	0	:	0	7	2	0	:	p
	1280x768p										
Hexadecimal	31h	30h	32h	34h	3Ah	30h	37h	36h	38h	3Ah	70h
Character	1	2	8	0	:	0	7	6	8	:	p
	1280x800p										
Hexadecimal	31h	30h	32h	34h	3Ah	30h	38h	30h	30h	3Ah	70h
Character	1	2	8	0	:	0	8	0	0	:	p
	1280x1024p										
Hexadecimal	31h	30h	32h	34h	3Ah	31h	30h	32h	34h	3Ah	70h
Character	1	2	8	0	:	1	0	2	4	:	p

1366x768p											
Hexadecimal	31h	33h	36h	36h	3Ah	30h	37h	36h	38h	3Ah	70h
Character	1	3	6	6	:	0	7	6	8	:	p
1400x1050p											
Hexadecimal	31h	34h	30h	30h	3Ah	31h	30h	35h	30h	3Ah	70h
Character	1	4	0	0	:	1	0	5	0	:	p
1440x900p											
Hexadecimal	31h	34h	34h	30h	3Ah	30h	39h	30h	30h	3Ah	70h
Character	1	4	4	0	:	0	9	0	0	:	p
1600x900p											
Hexadecimal	31h	36h	30h	30h	3Ah	30h	39h	30h	30h	3Ah	70h
Character	1	6	0	0	:	0	9	0	0	:	p
1600x1200p											
Hexadecimal	31h	36h	30h	30h	3Ah	31h	32h	30h	30h	3Ah	70h
Character	1	6	0	0	:	1	2	0	0	:	p
1680x1050p											
Hexadecimal	31h	36h	38h	30h	3Ah	31h	30h	35h	30h	3Ah	70h
Character	1	6	8	0	:	1	0	5	0	:	p
1920x1080p											
Hexadecimal	31h	39h	32h	30h	3Ah	31h	30h	38h	30h	3Ah	70h
Character	1	9	2	0	:	1	0	8	0	:	p
1920x1080i											
Hexadecimal	31h	39h	32h	30h	3Ah	30h	30h	38h	30h	3Ah	69h
Character	1	9	2	0	:	1	0	8	0	:	i
1920x1200p											
Hexadecimal	31h	39h	32h	30h	3Ah	31h	30h	30h	30h	3Ah	70h
Character	1	9	2	0	:	1	2	0	0	:	p

■ Response (Callback)

Hexadecimal	02h	56h	58h	58h	3Ah	45h	44h	52h	53h	33h
Character		V	X	X	:	E	D	R	S	3
Hexadecimal	3Dh	2Bh	*1	*3	*5	*7	*9	03h		
Character	=	+	*2	*4	*6	*8	*10			

3.36. HDMI2 EDID - VERTICAL SCAN FREQUENCY [VXX:EDVI3]

Hexadecimal	02h	41h	44h	5Ah	5Ah	3Bh	56h	58h	58h	3Ah
Character		A	D	Z	Z	:	V	X	X	:
Hexadecimal	45h	44h	56h	49h	33h	3Dh	2Bh	*1	*3	*5
Character	E	D	V	I	3	=	+	*2	*4	*6
Hexadecimal	*7	*9	03h							
Character	*8	*10								

■ Parameters(\*1,\*2,\*3,\*4,\*5,\*6,\*7,\*8,\*9,\*10)

60Hz											50Hz			
Hexadecimal	30h	36h	30h	30h	30h	30h	35h	30h	30h	30h				
Character	0	6	0	0	0	0	5	0	0	0				
48Hz											30Hz			
Hexadecimal	30h	34h	38h	30h	30h	30h	33h	30h	30h	30h				
Character	0	4	8	0	0	0	3	0	0	0				
25Hz											24Hz			
Hexadecimal	30h	32h	35h	30h	30h	30h	32h	34h	30h	30h				
Character	0	2	5	0	0	0	2	4	0	0				

■ Response (Callback)

Hexadecimal	02h	56h	58h	58h	3Ah	45h	44h	56h	49h	33h
Character		V	X	X	:	E	D	V	I	3
Hexadecimal	3Dh	2Bh	*1	*3	*5	*7	*9	03h		
Character	=	+	*2	*4	*6	*8	*10			

3.37. DIGITAL LINK OUT - FRAME LOCK [VXX:OFLI3]

Hexadecimal	02h	41h	44h	5Ah	5Ah	3Bh	56h	58h	58h	3Ah	4Fh	46h
Character		A	D	Z	Z	:	V	X	X	:	O	F
Hexadecimal	4Ch	49h	33h	3Dh	2Bh	*1	*3	*5	*7	*9	03h	
Character	L	I	3	=	+	*2	*4	*6	*8	*10		

■ Parameters(\*1,\*2,\*3,\*4,\*5,\*6,\*7,\*8,\*9,\*10)

OFF						ON				
Hexadecimal	30h	30h	30h	30h	30h	30h	30h	30h	30h	31h
Character	0	0	0	0	0	0	0	0	0	1

■ Response (Callback)

Hexadecimal	02h	56h	58h	58h	3Ah	4Fh	46h	4Ch	49h	33h
Character		V	X	X	:	O	F	L	I	3
Hexadecimal	3Dh	2Bh	*1	*3	*5	*7	*9	03h		
Character	=	+	*2	*4	*6	*8	*10			

3.38. DIGITAL LINK OUT - OUTPUT RESOLUTION [VXX: ORSS3]

Hexadecimal	02h	41h	44h	5Ah	5Ah	3Bh	56h	58h	58h	3Ah
Character		A	D	Z	Z	:	V	X	X	:
Hexadecimal	45h	52h	53h	53h	33h	3Dh	*1	*3	*5	*7
Character	O	R	S	S	3	=	*2	*4	*6	*8
Hexadecimal	*9	*11	*13	*15	*17	03h				
Character	*10	*12	*14	*16	*18					

■ Parameters(\*1,\*2,\*3,\*4,\*5,\*6,\*7,\*8,\*9,\*10,\*11,\*12,\*13,\*14,\*15,\*16,\*17,\*18)

1920x1200									
Hexadecimal	31h	39h	32h	30h	3Ah	31h	32h	30h	30h
Character	1	9	2	0	:	1	2	0	0
1920x1080									
Hexadecimal	31h	39h	32h	30h	3Ah	31h	30h	38h	30h
Character	1	9	2	0	:	1	0	8	0
1400x1050									
Hexadecimal	31h	34h	30h	30h	3Ah	31h	30h	35h	30h
Character	1	4	0	0	:	1	0	5	0
1366x768									
Hexadecimal	31h	33h	36h	36h	3Ah	30h	37h	36h	38h
Character	1	3	6	6	:	0	7	6	8
1280x800									
Hexadecimal	31h	30h	32h	34h	3Ah	30h	38h	30h	30h
Character	1	2	8	0	:	0	8	0	0
1024x768									
Hexadecimal	31h	30h	32h	34h	3Ah	30h	37h	36h	38h
Character	1	0	2	4	:	0	7	6	8

■ Response (Callback)

Hexadecimal	02h	56h	58h	58h	3Ah	56h	58h	58h	3Ah	45h
Character		V	X	X	:	V	X	X	:	O
Hexadecimal	52h	53h	53h	33h	3Dh	*1	*3	*5	*7	*9
Character	R	S	S	3	=	*2	*4	*6	*8	*10
	*11	*13	*15	*17	*19	03h				
	*12	*14	*16	*18	*20					

3.39. DVI-D OUT - FRAME LOCK [VXX:OFL11]

Hexadecimal	02h	41h	44h	5Ah	5Ah	3Bh	56h	58h	58h	3Ah	43h	43h
Character		A	D	Z	Z	:	V	X	X	:	O	F
Hexadecimal	52	49h	31h	3Dh	2Bh	*1	*3	*5	*7	*9	03h	
Character	L	I	1	=	+	*2	*4	*6	*8	*10		

■ Parameters(\*1,\*2,\*3,\*4,\*5,\*6,\*7,\*8,\*9,\*10)

OFF					ON				
Hexadecimal	30h	30h	30h	30h	30h	30h	30h	30h	31h
Character	0	0	0	0	0	0	0	0	1

■ Response (Callback)

Hexadecimal	02h	56h	58h	58h	3Ah	4Fh	46h	4Ch	49h	31h
Character		V	X	X	:	O	F	L	I	1
Hexadecimal	3Dh	2Bh	*1	*3	*5	*7	*9	03h		
Character	=	+	*2	*4	*6	*8	*10			

3.40. DVI-D OUT - OUTPUT RESOLUTION [VXX:ORSS1]

Hexadecimal	02h	41h	44h	5Ah	5Ah	3Bh	56h	58h	58h	3Ah
Character		A	D	Z	Z	;	V	X	X	:
Hexadecimal	45h	52h	53h	53h	31h	3Dh	*1	*3	*5	*7
Character	O	R	S	S	1	=	*2	*4	*6	*8
Hexadecimal	*9	*11	*13	*15	*17	03h				
Character	*10	*12	*14	*16	*18					

■ Parameters(\*1,\*2,\*3,\*4,\*5,\*6,\*7,\*8,\*9,\*10,\*11,\*12,\*13,\*14,\*15,\*16,\*17,\*18)

1920x1200										
Hexadecimal	31h	39h	32h	30h	3Ah	31h	32h	30h	30h	
Character	1	9	2	0	:	1	2	0	0	
1920x1080										
Hexadecimal	31h	39h	32h	30h	3Ah	31h	30h	38h	30h	
Character	1	9	2	0	:	1	0	8	0	
1400x1050										
Hexadecimal	31h	34h	30h	30h	3Ah	31h	30h	35h	30h	
Character	1	4	0	0	:	1	0	5	0	
1366x768										
Hexadecimal	31h	33h	36h	36h	3Ah	30h	37h	36h	38h	
Character	1	3	6	6	:	0	7	6	8	
1280x800										
Hexadecimal	31h	30h	32h	34h	3Ah	30h	38h	30h	30h	
Character	1	2	8	0	:	0	8	0	0	
1024x768										
Hexadecimal	31h	30h	32h	34h	3Ah	30h	37h	36h	38h	
Character	1	0	2	4	:	0	7	6	8	

■ Response (Callback)

Hexadecimal	02h	56h	58h	58h	3Ah	56h	58h	58h	3Ah	45h
Character		V	X	X	:	V	X	X	:	O
Hexadecimal	52h	53h	53h	33h	3Dh	*1	*3	*5	*7	*9
Character	R	S	S	3	=	*2	*4	*6	*8	*10
	*11	*13	*15	*17	*19	03h				
	*12	*14	*16	*18	*20					

3.41. DVI-D OUT - FRAME LOCK [VXX:OFL11]

Hexadecimal	02h	41h	44h	5Ah	5Ah	3Bh	56h	58h	58h	3Ah	43h	43h
Character		A	D	Z	Z	;	V	X	X	:	O	F
Hexadecimal	52	49h	31h	3Dh	2Bh	*1	*3	*5	*7	*9	03h	
Character	L	I	1	=	+	*2	*4	*6	*8	*10		

■ Parameters(\*1,\*2,\*3,\*4,\*5,\*6,\*7,\*8,\*9,\*10)

OFF						ON				
Hexadecimal	30h	30h	30h	30h	30h	30h	30h	30h	30h	31h
Character	0	0	0	0	0	0	0	0	0	1

■ Response (Callback)

Hexadecimal	02h	56h	58h	58h	3Ah	4Fh	46h	4Ch	49h	31h
Character		V	X	X	:	O	F	L	I	1
Hexadecimal	3Dh	2Bh	*1	*3	*5	*7	*9	03h		
Character	=	+	*2	*4	*6	*8	*10			

3.42. DVI-D OUT - CASCADE [VXX:CSC11]

Hexadecimal	02h	41h	44h	5Ah	5Ah	3Bh	56h	58h	58h	3Ah	43h	53h
Character		A	D	Z	Z	;	V	X	X	:	C	S
Hexadecimal	43h	49h	31h	3Dh	2Bh	*1	*3	*5	*7	*9	03h	
Character	C	I	1	=	+	*2	*4	*6	*8	*10		

■ Parameters(\*1,\*2,\*3,\*4,\*5,\*6,\*7,\*8,\*9,\*10)

OFF						ON				
Hexadecimal	30h	30h	30h	30h	30h	30h	30h	30h	30h	31h
Character	0	0	0	0	0	0	0	0	0	1

■ Response (Callback)

Hexadecimal	02h	56h	58h	58h	3Ah	43h	53h	43h	49h	31h
Character		V	X	X	:	C	S	C	I	1
Hexadecimal	3Dh	2Bh	*1	*3	*5	*7	*9	03h		
Character	=	+	*2	*4	*6	*8	*10			

### 3.43. CLOSED CAPTION SETTING [OCC]

Hexadecimal	02h	41h	44h	5Ah	5Ah	3Bh	4Fh	43h	43h	3Ah
Character		A	D	Z	Z	;	O	C	C	:
Hexadecimal	*1	03h								
Character	*2									

■ Parameters(\*1,\*2)

	OFF	CC1	CC2	CC3	CC4
Hexadecimal	30h	31h	32h	33h	34h
Character	0	1	2	3	4

■ Response (Callback)

Hexadecimal	02h	4Fh	43h	43h	3Ah	*1	03h
Character		O	C	C	:	*2	

### 3.44. BACK COLOR [OBC]

Hexadecimal	02h	41h	44h	5Ah	5Ah	3Bh	4Fh	42h	43h	3Ah
Character		A	D	Z	Z	;	O	B	C	:
Hexadecimal	*1	03h								
Character	*2									

■ Parameters(\*1,\*2)

	BULE	BLACK
Hexadecimal	30h	31h
Character	0	1

■ Response (Callback)

Hexadecimal	02h	4Fh	42h	43h	3Ah	*1	03h
Character		O	B	C	:	*2	

### 3.45. NO SIGNAL SLEEP [VXX:NSLI1]

Hexadecimal	02h	41h	44h	5Ah	5Ah	3Bh	56h	58h	58h	3Ah	4Eh	53h
Character		A	D	Z	Z	;	V	X	X	:	N	S
Hexadecimal	4Ch	49h	30h	3Dh	2Bh	*1	*3	*5	*7	*9	03h	
Character	L	I	1	=	+	*2	*4	*6	*8	*10		

■ Parameters(\*1,\*2,\*3,\*4,\*5,\*6,\*7,\*8,\*9,\*10,\*11,\*12)

	OFF					10 MIN.				
Hexadecimal	30h	30h	30h	30h	30h	30h	30h	30h	31h	30h
Character	0	0	0	0	0	0	0	0	1	0
	20 MIN.					30 MIN.				
Hexadecimal	30h	30h	30h	32h	30h	30h	30h	30h	33h	30h
Character	0	0	0	2	0	0	0	0	3	0

■ Response (Callback)

Hexadecimal	02h	56h	58h	58h	3Ah	4Eh	53h	4Ch	49h	31h
Character		V	X	X	:	N	S	L	I	1
Hexadecimal	3Dh	*1	*3	*5	*7	*9	03h			
Character	=	*2	*4	*6	*8	*10				

### 3.46. AUDIO SETTING - VOLUME [AVL]

Hexadecimal	02h	41h	44h	5Ah	5Ah	3Bh	41h	56h	4Ch	3Ah
Character		A	D	Z	Z	;	A	V	L	:
Hexadecimal	*1	*3	*5	03h						
Character	*2	*4	*6							

■ Parameters(\*1,\*2,\*3,\*4,\*5,\*6)

	0			1		
Hexadecimal	30h	30h	30h	30h	30h	31h
Character	0	0	0	0	0	1
	62			63		
Hexadecimal	32h	36h	32h	30h	36h	33h
Character	0	6	2	0	6	3

■ Response (Callback)

Hexadecimal	02h	41h	56h	4Ch	3Ah	*1	*3	*5	03h
Character		A	V	L	:	*2	*4	*6	

### 3.47. AUDIO SETTING - BALANCE [ABL]

Hexadecimal	02h	41h	44h	5Ah	5Ah	3Bh	41h	42h	4Ch	3Ah
Character		A	D	Z	Z	:	A	B	L	:
Hexadecimal	*1	*3	*5	03h						
Character	*2	*4	*6							

■ Parameters(\*1,\*2,\*3,\*4,\*5,\*6)

	-16			0			+16		
Hexadecimal	2Dh	31h	36h	2Bh	30h	30h	2Bh	31h	36h
Character	-	1	6	+	0	0	+	1	6

■ Response (Callback)

Hexadecimal	02h	41h	42h	4Ch	3Ah	*1	*3	*5	03h
Character		A	B	L	:	*2	*4	*6	

### 3.48. AUDIO SETTING - AUDIO OUT SELECT [VXX:AOSI1]

Hexadecimal	02h	41h	44h	5Ah	5Ah	3Bh	56h	58h	58h	3Ah	41h	4Fh
Character		A	D	Z	Z	:	V	X	X	:	A	O
Hexadecimal	53h	49h	31h	3Dh	2Bh	*1	*3	*5	*7	*9	03h	
Character	S	l	1	=	+	*2	*4	*6	*8	*10		

■ Parameters(\*1,\*2,\*3,\*4,\*5,\*6,\*7,\*8,\*9,\*10)

	OFF					DIGITAL LINK				
Hexadecimal	30 h	30h	30h	30h	30h	30h	30h	30h	30h	31h
Character	0	0	0	0	0	0	0	0	0	1
	AUDIO OUT									
Hexadecimal	30h	30h	30h	31h	30h					
Character	0	0	0	1	0					

■ Response (Callback)

In the period when the command can be accepted

Hexadecimal	02h	56h	58h	58h	3Ah	41h	4Fh	53h	49h	31h
Character		V	X	X	:	A	O	S	l	1
Hexadecimal	3Dh	*1	*1	*3	*5	*7	*9	03h		
Character	=	*2	*2	*4	*6	*8	*10			

### 3.49. AUDIO IN SELECT - HDMI 1 [VXX:AINI3]

Hexadecimal	02h	41h	44h	5Ah	5Ah	3Bh	56h	58h	58h	3Ah	41h	49h
Character		A	D	Z	Z	:	V	X	X	:	A	l
Hexadecimal	4Eh	49h	33h	3Dh	2Bh	*1	*3	*5	*7	*9	03h	
Character	N	l	3	=	+	*2	*4	*6	*8	*10		

■ Parameters(\*1,\*2,\*3,\*4,\*5,\*6,\*7,\*8,\*9,\*10)

	HDMI 1 AUDIO IN					AUDIO IN 1				
Hexadecimal	30 h	30h	30h	30h	33h	30h	30h	30h	30h	30h
Character	0	0	0	0	3	0	0	0	0	0
	AUDIO IN 2					AUDIO IN 3				
Hexadecimal	30h	30 h	30h	30h	31h	30h	30h	30h	30h	32h
Character	0	0	0	0	1	0	0	0	0	2
	OFF									
Hexadecimal	39 h	39h	39h	39h	39h					
Character	9	9	9	9	9					

■ Response (Callback)

Hexadecimal	02h	56h	58h	58h	3Ah	41h	49h	4Eh	49h	33h
Character		V	X	X	:	A	l	N	l	3
Hexadecimal	3Dh	2Bh	*1	*3	*5	*7	*9	03h		
Character	=	+	*2	*4	*6	*8	*10			



3.50. AUDIO IN SELECT - HDMI 2 [VXX:AINI7]

Hexadecimal	02h	41h	44h	5Ah	5Ah	3Bh	56h	58h	58h	3Ah	41h	49h
Character		A	D	Z	Z	;	V	X	X	:	A	I
Hexadecimal	4Eh	49h	33h	3Dh	2Bh	*1	*3	*5	*7	*9	03h	
Character	N	I	7	=	+	*2	*4	*6	*8	*10		

■ Parameters(\*1,\*2,\*3,\*4,\*5,\*6,\*7,\*8,\*9,\*10)

	HDMI 2 AUDIO IN					AUDIO IN 1				
Hexadecimal	30 h	30h	30h	30h	33h	30h	30h	30h	30h	30h
Character	0	0	0	0	3	0	0	0	0	0
	AUDIO IN 2					AUDIO IN 3				
Hexadecimal	30h	30 h	30h	30h	31h	30h	30h	30h	30h	32h
Character	0	0	0	0	1	0	0	0	0	2
	OFF									
Hexadecimal	39 h	39h	39h	39h	39h					
Character	9	9	9	9	9					

■ Response (Callback)

Hexadecimal	02h	56h	58h	58h	3Ah	41h	49h	4Eh	49h	37h
Character		V	X	X	:	A	I	N	I	7
Hexadecimal	3Dh	2Bh	*1	*3	*5	*7	*9	03h		
Character	=	+	*2	*4	*6	*8	*10			

3.51. AUDIO IN SELECT - COMPUTER 1 [VXX:AINI0]

Hexadecimal	02h	41h	44h	5Ah	5Ah	3Bh	56h	58h	58h	3Ah	41h	49h
Character		A	D	Z	Z	;	V	X	X	:	A	I
Hexadecimal	4Eh	49h	30h	3Dh	2Bh	*1	*3	*5	*7	*9	03h	
Character	N	I	0	=	+	*2	*4	*6	*8	*10		

■ Parameters(\*1,\*2,\*3,\*4,\*5,\*6,\*7,\*8,\*9,\*10)

	AUDIO IN 1					AUDIO IN 2				
Hexadecimal	30h	30h	30 h	30h	30h	30h	30 h	30h	30h	31h
Character	0	0	0	0	0	0	0	0	0	1
	AUDIO IN 3					OFF				
Hexadecimal	30h	30h	30h	30h	32h	39 h	39h	39h	39h	39h
Character	0	0	0	0	2	9	9	9	9	9

■ Response (Callback)

Hexadecimal	02h	56h	58h	58h	3Ah	41h	49h	4Eh	49h	30h
Character		V	X	X	:	A	I	N	I	0
Hexadecimal	3Dh	*1	*1	*3	*5	*7	*9	03h		
Character	=	*2	*2	*4	*6	*8	*10			

3.52. AUDIO IN SELECT - COMPUTER 2 [VXX:AINI1]

Hexadecimal	02h	41h	44h	5Ah	5Ah	3Bh	56h	58h	58h	3Ah	41h	49h
Character		A	D	Z	Z	;	V	X	X	:	A	I
Hexadecimal	4Eh	49h	31h	3Dh	2Bh	*1	*3	*5	*7	*9	03h	
Character	N	I	1	=	+	*2	*4	*6	*8	*10		

■ Parameters(\*1,\*2,\*3,\*4,\*5,\*6,\*7,\*8,\*9,\*10)

	AUDIO IN 1					AUDIO IN 2				
Hexadecimal	30h	30h	30 h	30h	30h	30h	30 h	30h	30h	31h
Character	0	0	0	0	0	0	0	0	0	1
	AUDIO IN 3					OFF				
Hexadecimal	30h	30h	30h	30h	32h	39 h	39h	39h	39h	39h
Character	0	0	0	0	2	9	9	9	9	9

■ Response (Callback)

Hexadecimal	02h	56h	58h	58h	3Ah	41h	49h	4Eh	49h	31h
Character		V	X	X	:	A	I	N	I	1
Hexadecimal	3Dh	2Bh	*1	*3	*5	*7	*9	03h		
Character	=	+	*2	*4	*6	*8	*10			

3.53. AUDIO IN SELECT – VIDEO [VXX:AINI4]

Hexadecimal	02h	41h	44h	5Ah	5Ah	3Bh	56h	58h	58h	3Ah	41h	49h
Character		A	D	Z	Z	;	V	X	X	:	A	I
Hexadecimal	4Eh	49h	34h	3Dh	2Bh	*1	*3	*5	*7	*9	03h	
Character	N	I	4	=	+	*2	*4	*6	*8	*10		

■ Parameters(\*1,\*2,\*3,\*4,\*5,\*6,\*7,\*8,\*9,\*10)

	AUDIO IN 1					AUDIO IN 2				
Hexadecimal	30h	30h	30h	30h	30h	30h	30h	30h	30h	31h
Character	0	0	0	0	0	0	0	0	0	1
	AUDIO IN 3					OFF				
Hexadecimal	30h	30h	30h	30h	32h	39h	39h	39h	39h	39h
Character	0	0	0	0	2	9	9	9	9	9

■ Response (Callback)

Hexadecimal	02h	56h	58h	58h	3Ah	41h	49h	4Eh	49h	34h
Character		V	X	X	:	A	I	N	I	4
Hexadecimal	3Dh	*1	*3	*5	*7	*9	*11	03h		
Character	=	*2	*4	*6	*8	*10	*12			

3.54. AUTO SETUP [VXX:ASSI1]

Hexadecimal	02h	41h	44h	5Ah	5Ah	3Bh	56h	58h	58h	3Ah	41h	53h
Character		A	D	Z	Z	;	V	X	X	:	A	S
Hexadecimal	53h	49h	31h	3Dh	2Bh	*1	*3	*5	*7	*9	03h	
Character	S	I	1	=	+	*2	*4	*6	*8	*10		

■ Parameters(\*1,\*2,\*3,\*4,\*5,\*6,\*7,\*8,\*9,\*10)

	MANUAL					AUTO				
Hexadecimal	30h	30h	30h	30h	32h	30h	30h	30h	30h	31h
Character	0	0	0	0	2	0	0	0	0	1

■ Response (Callback)

Hexadecimal	02h	56h	58h	58h	3Ah	41h	49h	4Eh	49h	34h
Character		V	X	X	:	A	I	N	I	4
Hexadecimal	3Dh	2Bh	*1	*3	*5	*7	*9	03h		
Character	=	+	*2	*4	*6	*8	*10			

3.55. BACKUP INPUT MODE [VXX:BACI2]

Hexadecimal	02h	41h	44h	5Ah	5Ah	3Bh	56h	58h	58h	3Ah
Character		A	D	Z	Z	;	V	X	X	:
Hexadecimal	42h	41h	43h	49h	32h	3Dh	2Bh	*1	*3	*5
Character	B	A	C	I	2	=	+	*2	*4	*6
Hexadecimal	*7	*9	03h							
Character	*8	*10								

■ Parameters(\*1,\*2,\*3,\*4,\*5,\*6,\*7,\*8,\*9,\*10)

	OFF					1					2				
Hexadecimal	30h	30h	30h	30h	30h	30h	30h	30h	30h	31h	30h	30h	30h	30h	32h
Character	0	0	0	0	0	0	0	0	0	1	0	0	0	0	2

■ Response (Callback)

Hexadecimal	02h	56h	58h	58h	3Ah	42h	41h	43h	49h	32h
Character		V	X	X	:	B	A	C	I	2
Hexadecimal	3Dh	2Bh	*1	*3	*5	*7	*9	03h		
Character	=	+	*2	*4	*6	*8	*10			

3.56. ID SETTING [RIS]

Hexadecimal	02h	41h	44h	5Ah	5Ah	3Bh	52h	49h	53h	3Ah
Character		A	D	Z	Z	;	R	I	S	:
Hexadecimal	*1	*3	03h							
Character	*2	*4								

Parameters(\*1,\*2,\*3,\*4)

	0 (ALL)		1		2		3	
Hexadecimal	30h	30h	30h	31h	30h	32h	30h	33h
Character	0	0	0	1	0	2	0	3
	4		5		6			
Hexadecimal	30h	34h	30h	35h	30h	36h		
Character	0	4	0	5	0	6		

■ Response (Callback)

In the period when the command can be accepted

Hexadecimal	02h	52h	49h	53h	3Ah	*1	*3	03h
Character		R	I	S	:	*2	*4	

### 3.57. QUERY AUTO SETUP [QIN]

Hexadecimal	02h	41h	44h	5Ah	5Ah	3Bh	51h	49h	4Eh	03h
Character		A	D	Z	Z	;	Q	I	N	

■ Response (Callback)

HDMI1

Hexadecimal	02h	48h	44h	31h	03h
Character		H	D	1	

HDMI2

Hexadecimal	02h	48h	44h	32h	03h
Character		H	D	2	

COMPUTER1

Hexadecimal	02h	50h	43h	31h	03h
Character		P	C	1	

COMPUTER2

Hexadecimal	02h	50h	43h	32h	03h
Character		P	C	2	

VIDEO

Hexadecimal	02h	56h	49h	44h	03h
Character		V	I	D	

### 3.58. QUERY SYSTEM SELECTOR [QRF]

Hexadecimal	02h	41h	44h	5Ah	5Ah	3Bh	51h	52h	46h	03h
Character		A	D	Z	Z	;	Q	R	F	

■ Response (Callback)

RGB(VGA60)

Hexadecimal	02h	30h	03h
Character		0	

YPbPr/YCbCr

Hexadecimal	02h	31h	03h
Character		1	

AUTO

Hexadecimal	02h	32h	03h
Character		2	

480pRGB

Hexadecimal	02h	33h	03h
Character		3	

### 3.59. QUERY CLAMP POSITION [QLT]

Hexadecimal	02h	41h	44h	5Ah	5Ah	3Bh	51h	4Ch	54h	03h
Character		A	D	Z	Z	;	Q	L	T	

■ Response (Callback)

In the period when the command can be accepted

Hexadecimal	02h	*1	*3	*5	03h
Character		*2	*4	*6	

■ Parameters(\*1,\*2,\*3,\*4,\*5,\*6)

	1			2		
Hexadecimal	30h	30h	31h	30h	30h	32h
Character	0	0	1	0	0	2
	254			255		
Hexadecimal	32h	35h	34h	32h	35h	35h
Character	2	5	4	2	5	5

■ Note

- Only when COMPUTER1 or COMPUTER2 is selected, it can be accepted.

### 3.60. QUERY DIGITAL CINEMA REALITY [QPD]

Hexadecimal	02h	41h	44h	5Ah	5Ah	3Bh	51h	50h	44h	03h
Character		A	D	Z	Z	;	Q	P	D	

■ Response (Callback)

In the period when the command can be accepted

Hexadecimal	02h	*1	03h
Character		*2	

■ Parameters(\*1,\*2)

	AUTO	OFF	30p/25p FIXD
Hexadecimal	30h	31h	32h
Character	0	1	2

### 3.61. QUERY SHIFT - HORIZONTAL [QTH]

Hexadecimal	02h	41h	44h	5Ah	5Ah	3Bh	51h	54h	48h	03h
Character		A	D	Z	Z	;	Q	T	H	

■ Response (Callback)

In the period when the command can be accepted

Hexadecimal	02h	*1	*3	*5	*7	03h
Character		*2	*4	*6	*8	

■ Parameters(\*1,\*2,\*3,\*4,\*5,\*6,\*7,\*8)

	0				1				2			
Hexadecimal	30h	30h	30h	30h	30h	30h	30h	31h	30h	30h	30h	32h
Character	0	0	0	0	0	0	0	1	0	0	0	2
	4093				4094				4095			
Hexadecimal	34h	30h	39h	33h	34h	30h	39h	34h	34h	30h	39h	35h
Character	4	0	9	3	4	0	9	4	4	0	9	5

### 3.62. QUERY SHIFT - VERTICAL [QTV]

Hexadecimal	02h	41h	44h	5Ah	5Ah	3Bh	51h	54h	56h	03h
Character		A	D	Z	Z	;	Q	T	V	

■ Response (Callback)

In the period when the command can be accepted

Hexadecimal	02h	*1	*3	*5	*7	03h
Character		*2	*4	*6	*8	

■ Parameters(\*1,\*2,\*3,\*4,\*5,\*6,\*7,\*8)

	0				1				2			
Hexadecimal	30h	30h	30h	30h	30h	30h	30h	31h	30h	30h	30h	32h
Character	0	0	0	0	0	0	0	1	0	0	0	2
	4093				4094				4095			
Hexadecimal	34h	30h	39h	33h	34h	30h	39h	34h	34h	30h	39h	35h
Character	4	0	9	3	4	0	9	4	4	0	9	5

### 3.63. QUERY CLOCK PHASE [QCP]

Hexadecimal	02h	41h	44h	5Ah	5Ah	3Bh	51h	43h	50h	03h
Character		A	D	Z	Z	;	Q	C	P	

■ Response (Callback)

Hexadecimal	02h	*1	*3	*5	03h
Character		*2	*4	*6	

■ Parameters(\*1,\*2,\*3,\*4,\*5,\*6)

	0			1			2		
Hexadecimal	30h	30h	30h	30h	30h	31h	30h	30h	32h
Character	0	0	0	0	0	1	0	0	2
	61			62			63		
Hexadecimal	30h	36h	31h	30h	36h	32h	30h	36h	33h
Character	0	6	1	0	6	2	0	6	3

■ Note

- Only when COMPUTER1 or COMPUTER2 is selected, it can be accepted.

### 3.64. QUERY OVER SCAN [QOV]

Hexadecimal	02h	41h	44h	5Ah	5Ah	3Bh	51h	43h	50h	03h
Character		A	D	Z	Z	;	Q	O	V	

■ Response (Callback)

Hexadecimal	02h	*1	*3	*5	03h
Character		*2	*4	*6	

■ Parameters(\*1,\*2,\*3,\*4,\*5,\*6)

	0			1			2		
Hexadecimal	30h	30h	30h	30h	30h	31h	30h	30h	32h
Character	0	0	0	0	0	1	0	0	2
	8			9			10		
Hexadecimal	30h	30h	38h	30h	30h	39h	30h	31h	30h
Character	0	0	8	0	0	9	0	1	0

3.65. QUERY ASPECT [QVX:OASI1]

Hexadecimal	02h	41h	44h	5Ah	5Ah	3Bh	51h	56h	58h	3Ah
Character		A	D	Z	Z	;	Q	V	X	:
Hexadecimal	4Fh	41h	53h	49h	31h	03h				
Character	O	A	S	I	1					

■ Response (Callback)

In the period when the command can be accepted

Hexadecimal	02h	4Fh	41h	53h	49h	31h	3Dh	*1	*3	*5
Character		O	A	S	I	1	=	*2	*4	*6
Hexadecimal	*7	*9	*11	03h						
Character	*8	*10	*12							

■ Parameters(\*1,\*2,\*3,\*4)

	AUTO					NORMAL				
Hexadecimal	30h	30h	30h	30h	31h	30h	30h	30h	30h	32h
Character	0	0	0	0	1	0	0	0	0	2
	WIDE					NATIVE				
Hexadecimal	30h	30h	30h	30h	33h	30h	30h	30h	30h	34h
Character	0	0	0	0	3	0	0	0	0	4
	FULL					H-FIT				
Hexadecimal	30h	30h	30h	30h	35h	30h	30h	30h	30h	36h
Character	0	0	0	0	5	0	0	0	0	6
	V-FIT					S16:9				
Hexadecimal	30h	30h	30h	30h	37h	30h	30h	30h	31h	31h
Character	0	0	0	0	7	0	0	0	1	1

3.66. QUERY INPUT RESOLUTION - TOTAL DOTS [QTD]

Hexadecimal	02h	41h	44h	5Ah	5Ah	3Bh	51h	54h	44h	03h
Character		A	D	Z	Z	;	Q	T	D	

■ Response (Callback)

In the period when the command can be accepted

Hexadecimal	02h	*1	*3	*5	*7	03h
Character		*2	*4	*6	*8	

■ Parameters(\*1,\*2,\*3,\*4,\*5,\*6,\*7,\*8)

	330				331			
Hexadecimal	30h	33h	33h	30h	30h	33h	33h	31h
Character	0	3	3	0	0	3	3	1
	4095				4096			
Hexadecimal	34h	30h	39h	35h	34h	30h	39h	36h
Character	4	0	9	5	4	0	9	6

■ Note

- Only when COMPUTER1 or COMPUTER2 is selected, it can be accepted.

3.67. QUERY INPUT RESOLUTION - DISPLAY DOTS [QDD]

Hexadecimal	02h	41h	44h	5Ah	5Ah	3Bh	51h	44h	44h	03h
Character		A	D	Z	Z	;	Q	D	D	

■ Response (Callback)

In the period when the command can be accepted

Hexadecimal	02h	*1	*3	*5	*7	03h
Character		*2	*4	*6	*8	

■ Parameters(\*1,\*2,\*3,\*4,\*5,\*6,\*7,\*8)

	300				301			
Hexadecimal	30h	33h	30h	30h	30h	33h	30h	31h
Character	0	3	0	0	0	3	0	1
	2065				2066			
Hexadecimal	32h	30h	36h	35h	32h	30h	36h	36h
Character	2	0	6	5	2	0	6	6

■ Note

- Only when COMPUTER1 or COMPUTER2 is selected, it can be accepted.

### 3.68. QUERY INPUT RESOLUTION - TOTAL LINES [QTL]

Hexadecimal	02h	41h	44h	5Ah	5Ah	3Bh	51h	54h	4Ch	03h
Character		A	D	Z	Z	;	Q	T	L	

■ Response (Callback)

In the period when the command can be accepted

Hexadecimal	02h	*1	*3	*5	*7	03h
Character		*2	*4	*6	*8	

■ Parameters(\*1,\*2,\*3,\*4,\*5,\*6,\*7,\*8)

	306				307			
Hexadecimal	30h	33h	30h	36h	30h	33h	30h	37h
Character	0	3	0	6	0	3	0	7
	2046				2047			
Hexadecimal	32h	30h	34h	36h	32h	30h	34h	37h
Character	2	0	4	6	2	0	4	7

■ Note

- Only when COMPUTER1 or COMPUTER2 is selected, it can be accepted.

### 3.69. QUERY INPUT RESOLUTION - DISPLAY LINES [QDL]

Hexadecimal	02h	41h	44h	5Ah	5Ah	3Bh	51h	44h	4Ch	03h
Character		A	D	Z	Z	;	Q	D	L	

■ Response (Callback)

In the period when the command can be accepted

Hexadecimal	02h	*1	*3	*5	*7	03h
Character		*2	*4	*6	*8	

■ Parameters(\*1,\*2,\*3,\*4,\*5,\*6,\*7,\*8)

	300				301			
Hexadecimal	30h	33h	30h	30h	30h	33h	30h	31h
Character	0	3	0	0	0	3	0	1
	1199				1200			
Hexadecimal	31h	31h	39h	39h	31h	32h	30h	30h
Character	1	1	9	9	1	2	0	0

■ Note

- Only when COMPUTER1 or COMPUTER2 is selected, it can be accepted.

### 3.70. QUERY LANGUAGE [QLG]

Hexadecimal	02h	41h	44h	5Ah	5Ah	3Bh	51h	4Ch	47h	03h
Character		A	D	Z	Z	;	Q	L	G	

■ Response (Callback)

In the period when the command can be accepted

Hexadecimal	02h	*1	*3	*5	03h
Character		*2	*4	*6	

■ Parameters(\*1,\*2,\*3,\*4,\*5,\*6)

	English			German			French		
Hexadecimal	45h	4Eh	47h	44h	45h	55h	46h	52h	41h
Character	E	N	G	D	E	U	F	R	A
	Spanish			Japanese					
Hexadecimal	45h	53h	50h	4Ah	50h	4Eh			
Character	E	S	P	J	P	N			

### 3.71. QUERY OSD DESIGN [QOD]

Hexadecimal	02h	41h	44h	5Ah	5Ah	3Bh	51h	4Fh	44h	03h
Character		A	D	Z	Z	;	Q	O	D	

■ Response (Callback)

In the period when the command can be accepted

Hexadecimal	02h	*1	03h
Character		*2	

■ Parameters(\*1,\*2)

	TYPE 1	TYPE 2
Hexadecimal	31h	32h
Character	1	2

3.72. QUERY OSD OUTPUT [QVX:OOPI1]

Hexadecimal	02h	41h	44h	5Ah	5Ah	3Bh	51h	56h	58h	3Ah
Character		A	D	Z	Z	;	Q	V	X	:
Hexadecimal	4Fh	50h	50h	49h	31h	03h				
Character	O	P	P	I	1					

■ Response (Callback)

In the period when the command can be accepted

Hexadecimal	02h	43h	4Dh	41h	49h	30h	3Dh	2Bh
Character		C	M	A	I	0	=	+
Hexadecimal	*1	*3	*5	*7	*9	03h		
Character	*2	*4	*6	*8	*10			

■ Parameters(\*1,\*2,\*3,\*4,\*5,\*6,\*7,\*8,\*9,\*10)

	DVI-D/DIGITAL LINK					DVI-D				
Hexadecimal	30h	30h	30h	31h	31h	30h	30h	30h	30h	31h
Character	0	0	0	1	1	0	0	0	0	1

3.73. QUERY COMPUTER 1 INPUT SETTING [QVX:RYCI1]

Hexadecimal	02h	41h	44h	5Ah	5Ah	3Bh	51h	56h	58h	3Ah
Character		A	D	Z	Z	;	Q	V	X	:
Hexadecimal	52h	59h	43	49h	31h	03h				
Character	R	Y	C	I	1					

■ Response (Callback)

Hexadecimal	02h	52h	59h	43	49h	31h	3Dh	2Bh	*1	*3
Character		R	Y	C	I	1	=	+	*2	*4
Hexadecimal	*5	*7	*9	03h						
Character	*6	*8	*10							

■ Parameters(\*1,\*2,\*3,\*4,\*5,\*6,\*7,\*8,\*9,\*10)

	RGB/YPBPR					Y/C				
Hexadecimal	30h	30h	30h	30h	30h	30h	30h	30h	30h	31h
Character	0	0	0	0	0	0	0	0	0	1

3.74. QUERY SYNC SLICE LEVEL [QVX:STRI0]

Hexadecimal	02h	41h	44h	5Ah	5Ah	3Bh	51h	56h	58h	3Ah
Character		A	D	Z	Z	;	Q	V	X	:
Hexadecimal	53h	54h	52h	49h	30h	03h				
Character	S	T	R	I	0					

■ Response (Callback)

Hexadecimal	02h	53h	54h	52h	49h	30h	3Dh	2Bh	*1	*3
Character		S	T	R	I	0	=	+	*2	*4
Hexadecimal	*5	*7	*9	03h						
Character	*6	*8	*10							

■ Parameters(\*1,\*2,\*3,\*4,\*5,\*6,\*7,\*8,\*9,\*10)

	低					高				
Hexadecimal	30h	30h	30h	30h	30h	30h	30h	30h	30h	31h
Character	0	0	0	0	0	0	0	0	0	1

3.75. QUERY COMPUTER2 EDID - MODE [QVX:EDMI1]

Hexadecimal	02h	41h	44h	5Ah	5Ah	3Bh	51h	56h	58h	3Ah
Character		A	D	Z	Z	;	Q	V	X	:
Hexadecimal	45h	44h	4Dh	49h	31h	03h				
Character	E	D	M	I	1					

■ Response (Callback)

Hexadecimal	02h	45h	44h	4Dh	49h	31h	3Dh	2Bh	*1	*3
Character		E	D	M	I	1	=	+	*2	*4
Hexadecimal	*5	*7	*9	03h						
Character	*6	*8	*10							

■ Parameters(\*1,\*2,\*3,\*4,\*5,\*6,\*7,\*8,\*9,\*10)

	DEFAULT					COPY				
Hexadecimal	30h	30h	30h	30h	30h	30h	30h	30h	30h	30h
Character	0	0	0	0	0	0	0	1	0	0
	USER									
Hexadecimal	30h	30h	30h	31h	30h					
Character	0	0	0	1	0					

### 3.76. QUERY COMPUTER 2 EDID - RESOLUTION [QVX:EDRS1]

Hexadecimal	02h	41h	44h	5Ah	5Ah	3Bh	51h	56h	58h	3Ah
Character		A	D	Z	Z	;	Q	V	X	:
Hexadecimal	45h	44h	52h	53h	31h	03h				
Character	E	D	R	S	1					

■ Response (Callback)

Hexadecimal	02h	45h	44h	52h	53h	31h	3Dh	2Bh	*1	*3
Character		E	D	R	S	1	=	+	*2	*4
Hexadecimal	*5	*7	*9	*11	*13	*15	*17	*19	*21	
Character	*6	*8	*10	*12	*14	*16	*18	*20	*22	

■ Parameters(\*1,\*2,\*3,\*4,\*5,\*6,\*7,\*8,...\*11,\*12,...,\*21,\*22)

1024x768p											
Hexadecimal	31h	30h	32h	34h	3Ah	30h	37h	36h	38h	3Ah	70h
Character	1	0	2	4	:	0	7	6	8	:	p
1280x720p											
Hexadecimal	31h	30h	32h	34h	3Ah	30h	37h	32h	30h	3Ah	70h
Character	1	2	8	0	:	0	7	2	0	:	p
1280x768p											
Hexadecimal	31h	30h	32h	34h	3Ah	30h	37h	36h	38h	3Ah	70h
Character	1	2	8	0	:	0	7	6	8	:	p
1280x800p											
Hexadecimal	31h	30h	32h	34h	3Ah	30h	38h	30h	30h	3Ah	70h
Character	1	2	8	0	:	0	8	0	0	:	p
1280x1024p											
Hexadecimal	31h	30h	32h	34h	3Ah	31h	30h	32h	34h	3Ah	70h
Character	1	2	8	0	:	1	0	2	4	:	p
1366x768p											
Hexadecimal	31h	33h	36h	36h	3Ah	30h	37h	36h	38h	3Ah	70h
Character	1	3	6	6	:	0	7	6	8	:	p
1400x1050p											
Hexadecimal	31h	34h	30h	30h	3Ah	31h	30h	35h	30h	3Ah	70h
Character	1	4	0	0	:	1	0	5	0	:	p
1440x900p											
Hexadecimal	31h	34h	34h	30h	3Ah	30h	39h	30h	30h	3Ah	70h
Character	1	4	4	0	:	0	9	0	0	:	p
1600x900p											
Hexadecimal	31h	36h	30h	30h	3Ah	30h	39h	30h	30h	3Ah	70h
Character	1	6	0	0	:	0	9	0	0	:	p
1600x1200p											
Hexadecimal	31h	36h	30h	30h	3Ah	31h	32h	30h	30h	3Ah	70h
Character	1	6	0	0	:	1	2	0	0	:	p
1680x1050p											
Hexadecimal	31h	36h	38h	30h	3Ah	31h	30h	35h	30h	3Ah	70h
Character	1	6	8	0	:	1	0	5	0	:	p
1920x1080p											
Hexadecimal	31h	39h	32h	30h	3Ah	31h	30h	38h	30h	3Ah	70h
Character	1	9	2	0	:	1	0	8	0	:	p
1920x1080i											
Hexadecimal	31h	39h	32h	30h	3Ah	30h	30h	38h	30h	3Ah	69h
Character	1	9	2	0	:	1	0	8	0	:	i
1920x1200p											
Hexadecimal	31h	39h	32h	30h	3Ah	31h	30h	30h	30h	3Ah	70h
Character	1	9	2	0	:	1	2	0	0	:	p

### 3.77. QUERY COMPUTER 2 EDID - VERTICAL SCAN FREQUENCY [QVX:EDVI1]

Hexadecimal	02h	41h	44h	5Ah	5Ah	3Bh	51h	56h	58h	3Ah
Character		A	D	Z	Z	;	Q	V	X	:
Hexadecimal	45h	44h	56h	49h	31h	03h				
Character	E	D	V	I	1					

■ Response (Callback)

Hexadecimal	02h	45h	44h	56h	49h	31h	3Dh	2Bh	*1	*3
Character		E	D	V	I	1	=	+	*2	*4
Hexadecimal	*5	*7	*9	03h						
Character	*6	*8	*10							



■ Parameters(\*1,\*2,\*3,\*4,\*5,\*6,\*7,\*8,\*9,\*10)

	60Hz					50Hz				
Hexadecimal	30h	36h	30h	30h	30h	30h	35h	30h	30h	30h
Character	0	6	0	0	0	0	5	0	0	0
	48Hz					30Hz				
Hexadecimal	30h	34h	38h	30h	30h	30h	33h	30h	30h	30h
Character	0	4	8	0	0	0	3	0	0	0
	25Hz					24Hz				
Hexadecimal	30h	32h	35h	30h	30h	30h	32h	34h	30h	30h
Character	0	2	5	0	0	0	2	4	0	0

3.78. QUERY HDMI 2 EDID - MODE [QVX:EDMI3]

Hexadecimal	02h	41h	44h	5Ah	5Ah	3Bh	51h	56h	58h	3Ah
Character		A	D	Z	Z	;	Q	V	X	:
Hexadecimal	45h	44h	4Dh	49h	33h	03h				
Character	E	D	M	I	3					

■ Response (Callback)

Hexadecimal	02h	45h	44h	4Dh	49h	33h	3Dh	2Bh	*1	*3
Character		E	D	M	I	3	=	+	*2	*4
Hexadecimal	*5	*7	*9	03h						
Character	*6	*8	*10							

■ Parameters(\*1,\*2,\*3,\*4,\*5,\*6,\*7,\*8,\*9,\*10)

	DEFAULT					COPY				
Hexadecimal	30h	30h	30h	30h	30h	30h	30h	31h	30h	30h
Character	0	0	0	0	0	0	0	1	0	0
	USER									
Hexadecimal	30h	30h	30h	31h	30h					
Character	0	0	0	1	0					

3.79. QUERY HDMI 2 EDID - RESOLUTION [QVX:EDRS3]

Hexadecimal	02h	41h	44h	5Ah	5Ah	3Bh	51h	56h	58h	3Ah
Character		A	D	Z	Z	;	Q	V	X	:
Hexadecimal	45h	44h	52h	53h	33h	03h				
Character	E	D	R	S	3					

■ Response (Callback)

Hexadecimal	02h	45h	44h	52h	53h	33h	3Dh	2Bh	*1	*3
Character		E	D	R	S	3	=	+	*2	*4
Hexadecimal	*5	*7	*9	*11	*13	*15	*17	*19	*21	
Character	*6	*8	*10	*12	*14	*16	*18	*20	*22	

■ Parameters(\*1,\*2,\*3,\*4,\*5,\*6,\*7,\*8,...\*11,\*12,...\*21,\*22)

	1024x768p										
Hexadecimal	31h	30h	32h	34h	3Ah	30h	37h	36h	38h	3Ah	70h
Character	1	0	2	4	:	0	7	6	8	:	p
	1280x720p										
Hexadecimal	31h	30h	32h	34h	3Ah	30h	37h	32h	30h	3Ah	70h
Character	1	2	8	0	:	0	7	2	0	:	p
	1280x768p										
Hexadecimal	31h	30h	32h	34h	3Ah	30h	37h	36h	38h	3Ah	70h
Character	1	2	8	0	:	0	7	6	8	:	p
	1280x800p										
Hexadecimal	31h	30h	32h	34h	3Ah	30h	38h	30h	30h	3Ah	70h
Character	1	2	8	0	:	0	8	0	0	:	p
	1280x1024p										
Hexadecimal	31h	30h	32h	34h	3Ah	31h	30h	32h	34h	3Ah	70h
Character	1	2	8	0	:	1	0	2	4	:	p
	1366x768p										
Hexadecimal	31h	33h	36h	36h	3Ah	30h	37h	36h	38h	3Ah	70h
Character	1	3	6	6	:	0	7	6	8	:	p
	1400x1050p										
Hexadecimal	31h	34h	30h	30h	3Ah	31h	30h	35h	30h	3Ah	70h
Character	1	4	0	0	:	1	0	5	0	:	p
	1440x900p										
Hexadecimal	31h	34h	34h	30h	3Ah	30h	39h	30h	30h	3Ah	70h
Character	1	4	4	0	:	0	9	0	0	:	p
	1600x900p										
Hexadecimal	31h	36h	30h	30h	3Ah	30h	39h	30h	30h	3Ah	70h
Character	1	6	0	0	:	0	9	0	0	:	p

	1600x1200p										
Hexadecimal	31h	36h	30h	30h	3Ah	31h	32h	30h	30h	3Ah	70h
Character	1	6	0	0	:	1	2	0	0	:	p
	1680x1050p										
Hexadecimal	31h	36h	38h	30h	3Ah	31h	30h	35h	30h	3Ah	70h
Character	1	6	8	0	:	1	0	5	0	:	p
	1920x1080p										
Hexadecimal	31h	39h	32h	30h	3Ah	31h	30h	38h	30h	3Ah	70h
Character	1	9	2	0	:	1	0	8	0	:	p
	1920x1080i										
Hexadecimal	31h	39h	32h	30h	3Ah	30h	30h	38h	30h	3Ah	69h
Character	1	9	2	0	:	1	0	8	0	:	i
	1920x1200p										
Hexadecimal	31h	39h	32h	30h	3Ah	31h	30h	30h	30h	3Ah	70h
Character	1	9	2	0	:	1	2	0	0	:	p

### 3.80. QUERY HDMI 2 EDID - VERTICAL SCAN FREQUENCY [QVX:EDVI3]

Hexadecimal	02h	41h	44h	5Ah	5Ah	3Bh	51h	56h	58h	3Ah
Character		A	D	Z	Z	:	Q	V	X	:
Hexadecimal	45h	44h	56h	49h	33h	03h				
Character	E	D	V	I	3					

#### ■ Response (Callback)

Hexadecimal	02h	45h	44h	56h	49h	32h	3Dh	2Bh	*1	*3
Character		E	D	V	I	2	=	+	*2	*4
Hexadecimal	*5	*7	*9	03h						
Character	*6	*8	*10							

#### ■ Parameters(\*1,\*2,\*3,\*4,\*5,\*6,\*7,\*8,\*9,\*10)

	60Hz					50Hz				
Hexadecimal	30h	36h	30h	30h	30h	30h	35h	30h	30h	30h
Character	0	6	0	0	0	0	5	0	0	0
	48Hz					30Hz				
Hexadecimal	30h	34h	38h	30h	30h	30h	33h	30h	30h	30h
Character	0	4	8	0	0	0	3	0	0	0
	25Hz					24Hz				
Hexadecimal	30h	32h	35h	30h	30h	30h	32h	34h	30h	30h
Character	0	2	5	0	0	0	2	4	0	0

### 3.81. QUERY DIGITAL LINK OUT - FRAME LOCK [QVX:OFLI3]

Hexadecimal	02h	41h	44h	5Ah	5Ah	3Bh	51h	56h	58h	3Ah
Character		A	D	Z	Z	:	Q	V	X	:
Hexadecimal	4Fh	46h	4Ch	49h	33h	03h				
Character	O	F	L	I	3					

#### ■ Response (Callback)

Hexadecimal	02h	4Fh	46h	4Ch	49h	33h	3Dh	*1	*3	*5
Character		O	F	L	I	3	=	*2	*4	*6
Hexadecimal	*7	*9	*11	03h						
Character	*8	*10	*12							

#### ■ Parameters(\*1,\*2,\*3,\*4,\*5,\*6,\*7,\*8,\*9,\*10,\*11,\*12)

	OFF					ON				
Hexadecimal	30h	30h	30h	30h	30h	30h	30h	30h	30h	31h
Character	0	0	0	0	0	0	0	0	0	1

### 3.82. QUERY DIGITAL LINK OUT - OUTPUT RESOLUTION [QVX:ORSS3]

Hexadecimal	02h	41h	44h	5Ah	5Ah	3Bh	51h	56h	58h	3Ah
Character		A	D	Z	Z	:	Q	V	X	:
Hexadecimal	4Fh	52h	53h	53h	33h	03h				
Character	O	R	S	S	3					

#### ■ Response (Callback)

Hexadecimal	02h	4Fh	52h	53h	53h	33h	3Dh	*1	*3	*5
Character		O	R	S	S	3	=	*2	*4	*6
Hexadecimal	*7	*9	*11	03h						
Character	*8	*10	*12							

■ Parameters(\*1,\*2,\*3,\*4,\*5,\*6,\*7,\*8,\*9,\*10,\*11,\*12)

1920x1200									
Hexadecimal	31h	39h	32h	30h	3Ah	31h	32h	30h	30h
Character	1	9	2	0	:	1	2	0	0
1920x1080									
Hexadecimal	31h	39h	32h	30h	3Ah	31h	30h	38h	30h
Character	1	9	2	0	:	1	0	8	0
1400x1050									
Hexadecimal	31h	34h	30h	30h	3Ah	31h	30h	35h	30h
Character	1	4	0	0	:	1	0	5	0
1366x768									
Hexadecimal	31h	33h	36h	36h	3Ah	30h	37h	36h	38h
Character	1	3	6	6	:	0	7	6	8
1280x800									
Hexadecimal	31h	30h	32h	34h	3Ah	30h	38h	30h	30h
Character	1	2	8	0	:	0	8	0	0
1024x768									
Hexadecimal	31h	30h	32h	34h	3Ah	30h	37h	36h	38h
Character	1	0	2	4	:	0	7	6	8

3.83. QUERY DVI-D OUT - FRAME LOCK [QVX:OFLI1]

Hexadecimal	02h	41h	44h	5Ah	5Ah	3Bh	51h	56h	58h	3Ah
Character		A	D	Z	Z	;	Q	V	X	:
Hexadecimal	4Fh	46h	4Ch	49h	31h	03h				
Character	O	F	L	I	1					

■ Response (Callback)

In the period when the command can be accepted

Hexadecimal	02h	4Fh	46h	4Ch	49h	33h	3Dh	*1	*3	*5
Character		O	F	L	I	1	=	*2	*4	*6
Hexadecimal	*7	*9	*11	03h						
Character	*8	*10	*12							

■ Parameters(\*1,\*2,\*3,\*4,\*5,\*6,\*7,\*8,\*9,\*10,\*11,\*12)

OFF					ON				
Hexadecimal	30h	30h	30h	30h	30h	30h	30h	30h	31h
Character	0	0	0	0	0	0	0	0	1

3.84. QUERY DIGITAL LINK OUT - OUTPUT RESOLUTION [QVX:ORSS1]

Hexadecimal	02h	41h	44h	5Ah	5Ah	3Bh	51h	56h	58h	3Ah
Character		A	D	Z	Z	;	Q	V	X	:
Hexadecimal	4Fh	52h	53h	53h	31h	03h				
Character	O	R	S	S	1					

■ Response (Callback)

Hexadecimal	02h	4Fh	52h	53h	53h	33h	3Dh	*1	*3	*5
Character		O	R	S	S	3	=	*2	*4	*6
Hexadecimal	*7	*9	*11	03h						
Character	*8	*10	*12							

■ Parameters(\*1,\*2,\*3,\*4,\*5,\*6,\*7,\*8,\*9,\*10,\*11,\*12)

1920x1200									
Hexadecimal	31h	39h	32h	30h	3Ah	31h	32h	30h	30h
Character	1	9	2	0	:	1	2	0	0
1920x1080									
Hexadecimal	31h	39h	32h	30h	3Ah	31h	30h	38h	30h
Character	1	9	2	0	:	1	0	8	0
1400x1050									
Hexadecimal	31h	34h	30h	30h	3Ah	31h	30h	35h	30h
Character	1	4	0	0	:	1	0	5	0
1366x768									
Hexadecimal	31h	33h	36h	36h	3Ah	30h	37h	36h	38h
Character	1	3	6	6	:	0	7	6	8
1280x800									
Hexadecimal	31h	30h	32h	34h	3Ah	30h	38h	30h	30h
Character	1	2	8	0	:	0	8	0	0
1024x768									
Hexadecimal	31h	30h	32h	34h	3Ah	30h	37h	36h	38h
Character	1	0	2	4	:	0	7	6	8

### 3.85. QUERY DVI-D OUT - CASCADE [QVX:CSCI1]

Hexadecimal	02h	41h	44h	5Ah	5Ah	3Bh	51h	56h	58h	3Ah
Character		A	D	Z	Z	;	Q	V	X	:
Hexadecimal	43h	53h	43h	49h	31h	03h				
Character	C	S	C	I	1					

■ Response (Callback)

In the period when the command can be accepted

Hexadecimal	02h	43h	53h	43h	49h	31h	3Dh	2Bh	*1	*3
Character		C	S	C	I	1	=	+	*2	*4
Hexadecimal	*5	*7	*9	03h						
Character	*6	*8	*10							

■ Parameters(\*1,\*2,\*3,\*4,\*5,\*6,\*7,\*8,\*9,\*10,\*11,\*12)

	OFF					ON				
Hexadecimal	30h	30h	30h	30h	30h	30h	30h	30h	30h	31h
Character	0	0	0	0	0	0	0	0	0	1

### 3.86. QUERY CLOSED CAPTION SETTING [QCC]

Hexadecimal	02h	41h	44h	5Ah	5Ah	3Bh	51h	43h	43h	03h
Character		A	D	Z	Z	;	Q	C	C	

■ Response (Callback)

Hexadecimal	02h	*1	03h
Character		*2	

■ Parameters(\*1,\*2)

	OFF	CC1	CC2	CC3	CC4
Hexadecimal	30h	31h	32h	33h	34h
Character	0	1	2	3	4

### 3.87. QUERY BACK COLOR [QBC]

Hexadecimal	02h	41h	44h	5Ah	5Ah	3Bh	51h	42h	43h	03h
Character		A	D	Z	Z	;	Q	B	C	

■ Response (Callback)

Hexadecimal	02h	*1	03h
Character		*2	

■ Parameters(\*1,\*2)

	BLUE	BLACK
Hexadecimal	30h	31h
Character	0	1

### 3.88. QUERY NO SIGNAL SLEEP [QVX:NSLI1]

Hexadecimal	02h	41h	44h	5Ah	5Ah	3Bh	51h	56h	58h	3Ah
Character		A	D	Z	Z	;	Q	V	X	:
Hexadecimal	4Eh	53h	4Ch	49h	31h	03h				
Character	N	S	L	I	1					

■ Response (Callback)

In the period when the command can be accepted

Hexadecimal	02h	4Eh	53h	4Ch	49h	31h	3Dh	2Bh	*1	*3
Character		N	S	L	I	1	=	+	*2	*4
Hexadecimal	*5	*7	*9	03h						
Character	*6	*8	*10							

■ Parameters(\*1,\*2,\*3,\*4,\*5,\*6,\*7,\*8,\*9,\*10,\*11,\*12)

	OFF					10				
Hexadecimal	30h	30h	30h	30h	30h	30h	30h	30h	31h	30h
Character	0	0	0	0	0	0	0	0	1	0
	20					30				
Hexadecimal	30h	30h	30h	32h	30h	30h	30h	30h	33h	30h
Character	0	0	0	2	0	0	0	0	3	0

3.89. QUERY AUDIO SETTING - VOLUME [QAV]

Hexadecimal	02h	41h	44h	5Ah	5Ah	3Bh	51h	41h	56h	03h
Character		A	D	Z	Z	;	Q	A	V	

■ Response (Callback)

In the period when the command can be accepted

Hexadecimal	02h	*1	*3	*5	03h
Character		*2	*4	*6	

■ Parameters(\*1,\*2,\*3,\*4,\*5,\*6)

	0			1			2		
Hexadecimal	30h	30h	31h	30h	30h	31h	30h	30h	32h
Character	0	0	1	0	0	1	0	0	2
	62			63					
Hexadecimal	30h	36h	32h	30h	36h	33h			
Character	0	6	2	0	6	3			

3.90. QUERY AUDIO SETTING - BALANCE [QBL]

Hexadecimal	02h	41h	44h	5Ah	5Ah	3Bh	51h	42h	4Ch	03h
Character		A	D	Z	Z	;	Q	B	L	

■ Response (Callback)

In the period when the command can be accepted

Hexadecimal	02h	*1	*3	*5	03h
Character		*2	*4	*6	

■ Parameters(\*1,\*2,\*3,\*4,\*5,\*6)

	-16			0			+16		
Hexadecimal	2Dh	31h	36h	2Bh	30h	31h	2Bh	30h	32h
Character	-	1	6	+	0	1	+	0	2

3.91. QUERY AUDIO SETTING - AUDIO OUT SELECT [QVX:AOSI1]

Hexadecimal	02h	41h	44h	5Ah	5Ah	3Bh	51h	56h	58h	3Ah
Character		A	D	Z	Z	;	Q	V	X	:
Hexadecimal	41h	4Fh	53h	49h	31h	03h				
Character	A	O	S	I	1					

■ Response (Callback)

Hexadecimal	02h	41h	4Fh	53h	49h	31h	3Dh	2Bh	*1	*3
Character		A	O	S	I	1	=	+	*2	*4
Hexadecimal	*5	*7	*9	03h						
Character	*6	*8	*10							

■ Parameters(\*1,\*2,\*3,\*4,\*5,\*6,\*7,\*8,\*9,\*10,\*11,\*12)

	OFF					DIGITAL LINK				
Hexadecimal	30h	30h	30h	30h	30h	30h	30h	30h	30h	31h
Character	0	0	0	0	0	0	0	0	0	1
	AUDIO OUT									
Hexadecimal	30h	30h	30h	31h	30h					
Character	0	0	0	1	0					

3.92. QUERY AUDIO IN SELECT - HDMI 1 [QVX:AINI3]

Hexadecimal	02h	41h	44h	5Ah	5Ah	3Bh	51h	56h	58h	3Ah
Character		A	D	Z	Z	;	Q	V	X	:
Hexadecimal	41h	49h	4Eh	49h	33h	03h				
Character	A	I	N	I	3					

■ Response (Callback)

Hexadecimal	02h	41h	49h	4Eh	49h	33h	3Dh	2Bh	*1	*3
Character		A	I	N	I	3	=	+	*2	*4
Hexadecimal	*5	*7	*9	03h						
Character	*6	*8	*10							

■ Parameters(\*1,\*2,\*3,\*4,\*5,\*6,\*7,\*8,\*9,\*10,\*11,\*12)

	HDMI 1 AUDIO IN					AUDIO IN 1				
Hexadecimal	30h	30h	30h	30h	33h	30h	30h	30h	30h	30h
Character	0	0	0	0	3	0	0	0	0	0
	AUDIO IN 2					AUDIO IN 3				
Hexadecimal	30h	30h	30h	30h	31h	30h	30h	30h	30h	32h
Character	0	0	0	0	1	0	0	0	0	2
	OFF									
Hexadecimal	39h	39h	39h	39h	39h					
Character	9	9	9	9	9					

3.93. QUERY AUDIO IN SELECT - HDMI 2 [QVX:AINI7]

Hexadecimal	02h	41h	44h	5Ah	5Ah	3Bh	51h	56h	58h	3Ah
Character		A	D	Z	Z	;	Q	V	X	:
Hexadecimal	41h	49h	4Eh	49h	37h	03h				
Character	A	I	N	I	7					

■ Response (Callback)

Hexadecimal	02h	41h	49h	4Eh	49h	37h	3Dh	2Bh	*1	*3
Character		A	I	N	I	7	=	+	*2	*4
Hexadecimal	*5	*7	*9	03h						
Character	*6	*8	*10							

■ Parameters(\*1,\*2,\*3,\*4,\*5,\*6,\*7,\*8,\*9,\*10,\*11,\*12)

	HDMI 2 AUDIO IN					AUDIO IN 1				
Hexadecimal	30 h	30h	30h	30h	33h	30h	30h	30h	30h	30h
Character	0	0	0	0	3	0	0	0	0	0
	AUDIO IN 2					AUDIO IN 3				
Hexadecimal	30h	30 h	30h	30h	31h	30h	30h	30h	30h	32h
Character	0	0	0	0	1	0	0	0	0	2
	OFF									
Hexadecimal	39 h	39h	39h	39h	39h					
Character	9	9	9	9	9					

3.94. QUERY AUDIO IN SELECT - COMPUTER 1 [QVX:AINI0]

Hexadecimal	02h	41h	44h	5Ah	5Ah	3Bh	51h	56h	58h	3Ah
Character		A	D	Z	Z	;	Q	V	X	:
Hexadecimal	41h	49h	4Eh	49h	30h	03h				
Character	A	I	N	I	0					

■ Response (Callback)

Hexadecimal	02h	41h	49h	4Eh	49h	30h	3Dh	2Bh	*1	*3
Character		A	I	N	I	0	=	+	*2	*4
Hexadecimal	*5	*7	*9	03h						
Character	*6	*8	*10							

■ Parameters(\*1,\*2,\*3,\*4,\*5,\*6,\*7,\*8,\*9,\*10,\*11,\*12)

	AUDIO IN 1					AUDIO IN 2				
Hexadecimal	30h	30h	30h	30h	30h	30h	30 h	30h	30h	31h
Character	0	0	0	0	0	0	0	0	0	1
	AUDIO IN 3					OFF				
Hexadecimal	30h	30h	30h	30h	30h	39 h	39h	39h	39h	39h
Character	0	0	0	0	0	9	9	9	9	9

3.95. QUERY AUDIO IN SELECT - COMPUTER 2 [QVX:AINI1]

Hexadecimal	02h	41h	44h	5Ah	5Ah	3Bh	51h	56h	58h	3Ah
Character		A	D	Z	Z	;	Q	V	X	:
Hexadecimal	41h	49h	4Eh	49h	31h	03h				
Character	A	I	N	I	1					

■ Response (Callback)

Hexadecimal	02h	41h	49h	4Eh	49h	31h	3Dh	2Bh	*1	*3
Character		A	I	N	I	1	=	+	*2	*4
Hexadecimal	*5	*7	*9	03h						
Character	*6	*8	*10							

■ Parameters(\*1,\*2,\*3,\*4,\*5,\*6,\*7,\*8,\*9,\*10,\*11,\*12)

	AUDIO IN 1					AUDIO IN 2				
Hexadecimal	30h	30h	30h	30h	30h	30h	30 h	30h	30h	31h
Character	0	0	0	0	0	0	0	0	0	1
	AUDIO IN 3					OFF				
Hexadecimal	30h	30h	30h	30h	30h	39 h	39h	39h	39h	39h
Character	0	0	0	0	0	9	9	9	9	9

3.96. QUERY AUDIO IN SELECT - VIDEO [QVX:AINI4]

Hexadecimal	02h	41h	44h	5Ah	5Ah	3Bh	51h	56h	58h	3Ah
Character		A	D	Z	Z	;	Q	V	X	:
Hexadecimal	41h	49h	4Eh	49h	34h	03h				
Character	A	I	N	I	4					

■ Response (Callback)

Hexadecimal	02h	41h	49h	4Eh	49h	34h	3Dh	2Bh	*1	*3
Character		A	I	N	I	4	=	+	*2	*4
Hexadecimal	*5	*7	*9	03h						
Character	*6	*8	*10							

■ Parameters(\*1,\*2,\*3,\*4,\*5,\*6,\*7,\*8,\*9,\*10,\*11,\*12)

	AUDIO IN 1					AUDIO IN 2				
Hexadecimal	30h	30h	30h	30h	30h	30h	30h	30h	30h	31h
Character	0	0	0	0	0	0	0	0	0	1
	AUDIO IN 3					OFF				
Hexadecimal	30h	30h	30h	30h	30h	39h	39h	39h	39h	39h
Character	0	0	0	0	0	9	9	9	9	9

3.97. QUERY AUTO SETUP [QVX:ASSI1]

Hexadecimal	02h	41h	44h	5Ah	5Ah	3Bh	51h	56h	58h	3Ah
Character		A	D	Z	Z	;	Q	V	X	:
Hexadecimal	41h	53h	53h	49h	31h	03h				
Character	A	S	S	I	1					

■ Response (Callback)

Hexadecimal	02h	41h	53h	53h	49h	31h	3Dh	2Bh	*1	*3
Character		A	S	S	I	1	=	+	*2	*4
Hexadecimal	*5	*7	*9	03h						
Character	*6	*8	*10							

■ Parameters(\*1,\*2,\*3,\*4,\*5,\*6,\*7,\*8,\*9,\*10,\*11,\*12)

	AUTO					MANUAL				
Hexadecimal	30h	30h	30h	30h	31h	30h	30h	30h	30h	32h
Character	0	0	0	0	1	0	0	0	0	2

3.98. QUERY BACKUP INPUT MODE [QVX:BACI2]

Hexadecimal	02h	41h	44h	5Ah	5Ah	3Bh	51h	56h	88h	3Ah
Character		A	D	Z	Z	;	Q	V	X	:
Hexadecimal	42h	41h	43h	49h	32h	03h				
Character	B	A	C	I	2					

■ Response (Callback)

Hexadecimal	02h	42h	41h	43h	49h	32h	3Dh	2Bh
Character		B	A	C	I	2	=	+
Hexadecimal	*1	*3	*5	*7	*9	03h		
Character	*2	*4	*6	*8	*10			

■ Parameters(\*1,\*2,\*3,\*4,\*5,\*6,\*7,\*8,\*9,\*10)

	OFF					1					2				
Hexadecimal	30h	30h	30h	30h	30h	30h	30h	30h	30h	31h	30h	30h	30h	30h	32h
Character	0	0	0	0	0	0	0	0	0	1	0	0	0	0	2

3.99. QUERY DEVICE TYPE [QID]

Hexadecimal	02h	41h	44h	5Ah	5Ah	3Bh	51h	49h	44h	03h
Character		A	D	Z	Z	;	Q	I	D	

■ Response (Callback)

ET-YFB200

Hexadecimal	02h	59h	46h	42h	32h	30h	03h	03h
Character		Y	F	B	2	0	0	

### 3.100. QUERY MAIN SOFTWARE VERSION [QVX:SVRS0]

Hexadecimal	02h	41h	44h	5Ah	5Ah	3Bh	51h	56h	58h	3Ah
Character		A	D	Z	Z	;	Q	V	X	:
Hexadecimal	53h	56h	52h	53h	30h	03h				
Character	S	V	R	S	0					

■ Response (Callback)

Hexadecimal	02h	53h	56h	52h	53h	30h	3Dh	*1	*3	*5
Character		S	V	R	S	0	=	*2	*4	*6
Hexadecimal	*7	*9	*11	*13	*15	03h				
Character	*8	*10	*12	*14	*16					

■ Parameters(\*1,\*2,\*3,\*4,\*5,\*6,\*7,\*8,\*9,\*10,\*11,\*12,\*13,\*14,\*15,\*16)

Example : Ver 1.00

Hexadecimal	31h	2Eh	30h	30h
Character	1	.	0	0

Example : Ver 1.00.01

Hexadecimal	31h	2Eh	30h	30h	2Eh	30h	31h
Character	1	.	0	0	.	0	1

■ Note

- Response (Callback) by undefined length.

## 4. Extended Control Command

Start (STX)	ID	Command	Parameters	End (ETX)
1 byte	1 byte	1 byte or 2 byte	Undefined length	1 byte

### ID of the extended control command

ID	Hexadecimal (1 byte)
ID オール	00
ID1	01
ID2	02
ID3	03
ID4	04
ID5	05
ID6	06
ID7	07
ID8	08
ID9	09
ID10	0A
ID11	0B
ID12	0C
ID13	0D
ID14	0E
ID15	0F
ID16	10
ID17	11
ID18	12
ID19	13
ID20	14
ID21	15
ID22	16

ID	Hexadecimal (1 byte)
ID23	17
ID24	18
ID25	19
ID26	1A
ID27	1B
ID28	1C
ID29	1D
ID30	1E
ID31	1F
ID32	20
ID33	21
ID34	22
ID35	23
ID36	24
ID37	25
ID38	26
ID39	27
ID40	28
ID41	29
ID42	2A
ID43	2B
ID44	2C
ID45	2D

ID	Hexadecimal (1 byte)
ID46	2E
ID47	2F
ID48	30
ID49	31
ID50	32
ID51	33
ID52	34
ID53	35
ID54	36
ID55	37
ID56	38
ID57	39
ID58	3A
ID59	3B
ID60	3C
ID61	3D
ID62	3E
ID63	3F
ID64	40
Group A	80
Group B	81
Group C	82
Group D	83

ID	Hexadecimal (1 byte)
Group E	84
Group F	85
Group G	86
Group H	87
Group I	88
Group J	89
Group K	8A
Group L	8B
Group M	8C
Group N	8D
Group O	8E
Group P	8F
Group Q	90
Group R	91
Group S	92
Group T	93
Group U	94
Group V	95
Group W	96
Group X	97
Group Y	98
Group Z	99