

Panasonic

DIGITAL LINK

Single-Cable Solution



Single-Cable Connection for Audio, Video, and Control

IT'S TIME TO SIMPLIFY



Long-Distance Transmission to One or Two Displays

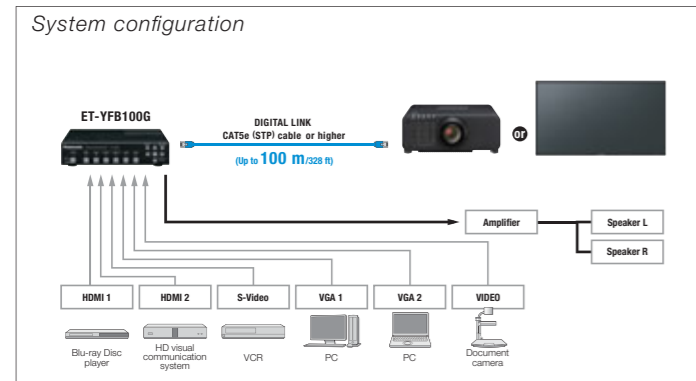
ET-YFB100G



Simple One-to-One Connection

DIGITAL LINK presents a solution for routing digital signals to a single display or projector over long distances. Multiple source devices can be connected to an optional ET-YFB100G Digital Interface Box with outgoing signals transmitted through a single cable to the display device, saving on installation costs.

Installation Examples
Meeting rooms / Classrooms / Retail spaces / Digital signage



ET-YFB200G

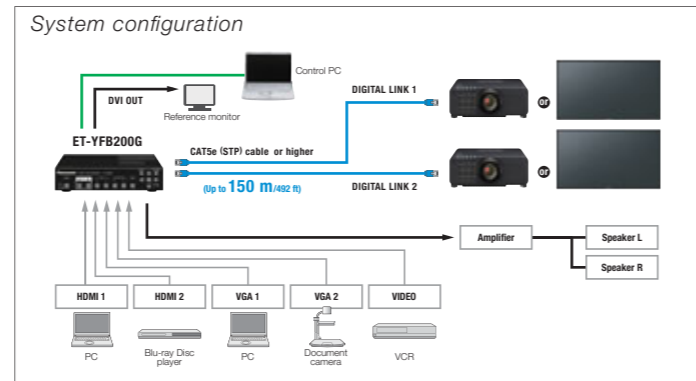


Distribute Media to Two Display Devices

The ET-YFB200G Switcher can route signals from a single source to two display devices, such as a main projector and a professional flat-panel display. Uncompressed Full HD video can be transmitted for distances of up to 150 m (492 ft)*, making DIGITAL LINK technology ideal for large venues.

* Applicable models: PT-DZ780/DW750/DX820 projectors in Long Reach Mode for signals up to 1080p. For other DIGITAL LINK models: up to 100 m (328 ft)

Installation Examples
Auditoriums / Lecture rooms / Churches



What's DIGITAL LINK?

DIGITAL LINK is a connection system based on HDBase™ technology that supports the transmission of HDMI signals, uncompressed 4K*1 video, Full HD video, audio, and control commands through a single LAN cable for very long distances—up to 150 m (492 ft) in Long Reach Mode*2. Simple, high-quality digital transmission works to reduce installation cost and complexity in venues of all sizes.



*1 Supported on TH-98/84L070 professional displays only (as of May 2015). 4K signal transmission for up to 100 m (328 ft) requires CAT 6A/7 cable or above. When using CAT 5e/6 cable, transmission distances of up to 70 m (230 ft) are supported.
*2 Long Reach Mode is available on the PT-DZ780/DW750/DX820 projectors only (as of May 2015). Up to 100 m (328 ft) in Normal Mode.

► Cost Effective

Simplified Installation

- Less chance of system failure with fewer cables and receivers

Lower Infrastructure Cost

- Reduces cost of control system upgrades
- Reduces cost of external receivers
- Reduces total cost of AV control software

► Reaches Further

Ideal for Large Auditoriums

- Supports 4K video*1 over distances of up to 100 m (328 ft) with a single LAN cable
- Allows 1080/60p signal transmission for up to 150 m (492 ft) via a single LAN cable using RJ45 connectors and in Long Reach Mode*2

Limited length

Normal Mode Up to 100 m (328 ft)

Long Reach Mode*2 Up to 150 m (492 ft)

► Better Quality

Trusted Japanese Engineering

- Enables digital connection of uncompressed 4K*1 and Full HD video, audio, LAN, and control commands
- Minimizes sound and image degradation
- Enables greater system reliability when connecting Panasonic components



DIGITAL LINK™
SINGLE CABLE SOLUTION

Control and Transmit to Multiple Display Devices

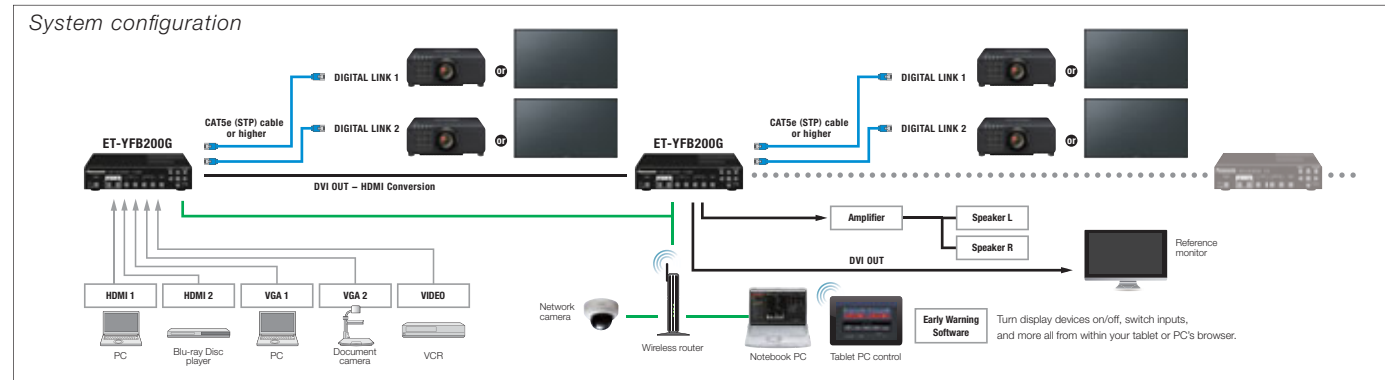
ET-YFB200G



Daisy-chain (Cascade) Switcher Units to Support Multiple Displays

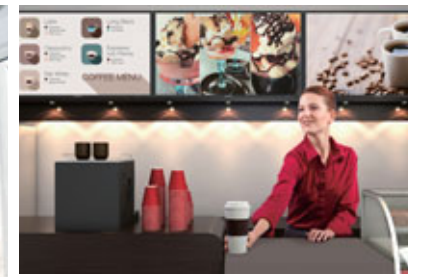
When more than two display devices need to be integrated into the AV network, multiple ET-YFB200G Switcher units can be daisy-chained (cascaded) to relay signals to a network of projectors and displays. DIGITAL LINK simplifies projector installation for 360-degree panoramas and streamlines digital signage and communication systems.

Installation Examples
Panoramic projection / Lecture halls / Large classrooms / Coliseums / Learning centers / Cafeterias



Seamlessly Integrates Large Video Walls

ET-YFB200G

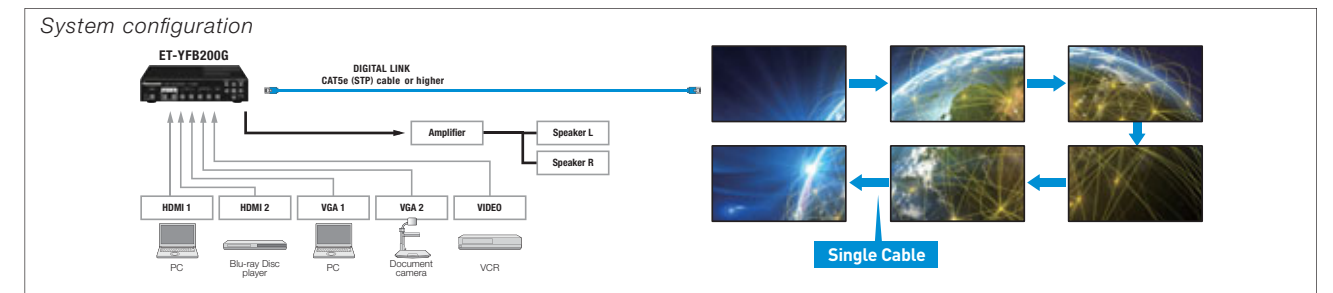


* Due to HDCP limitations, a maximum of eight displays can be daisy-chained via a single LAN cable.

Daisy-chain Video Wall Panels with a Single Cable

DIGITAL LINK is a key plank in Panasonic's modular front-to-back video-wall solution, which includes a dedicated mounting system, multi-screen calibration with a compatible camera, and routing/switching technology in a secure remote location. Each panel can be daisy-chained via DIGITAL LINK, combining digital content and control commands in one cable and saving on installation cost and labor.

Installation Examples
Retail signage / Airports / Sports arenas / Hotel lobbies



Distributes UltraHD Video Over Long Distances

Crestron DMPS3-4K-150C



Supports Aftermarket Switchers for 4K

UltraHD video can be distributed via DIGITAL LINK to compatible displays—such as Panasonic LQ70 Series professional displays—with the addition of Crestron's 4K-compatible DMPS3-4K-150-C switching device. Transmit for up to 100 m (328 ft) with CAT 6A/7 cable and up to 70 m (230 ft) with CAT 5e/6 cable.



Installation Examples
Airports / Corporate boardrooms / Casinos / Retail signage

The DIGITAL LINK World



DIGITAL LINK supports the control protocols of the industry's leading manufacturers including Crestron, Extron, AMX, and many more. This makes it easy to configure a wide variety of systems and allows DIGITAL LINK to integrate seamlessly into an existing control setup.



Note: All products tested for compatibility are listed on the following websites:
Projectors – panasonic.net/avc/projector/support/digitallink_compatible_list/
Displays – panasonic.net/prodisplays/support/index.html

"We are proud to welcome Panasonic 4K displays to the distinguished roster of 4K-certified products."

- Dominick Accurso
Manager, Integrated Partner Program, Crestron

"DIGITAL LINK streamlines the integration of displays into Extron XTP Systems, providing convenience and expedited installations."

- Joseph A. da Silva
Director of Product Marketing, Extron

"Installers can take full advantage of the compatibility between Panasonic DIGITAL LINK technology and Atлона products."

- Michael Khain
Vice President of Engineering, Atлона

Compatible Projectors, Flat-Panel Displays, and Accessories



PT-DZ870 [8,500 lm] [WUXGA]
PT-DW830 [8,500 lm] [WXGA]
PT-DX100 [10,000 lm] [XGA]



PT-DZ780 [7,000 lm] [WUXGA]
PT-DW750 [7,000 lm] [WXGA]
PT-DX820 [8,200 lm] [XGA]



PT-RZ670 [6,500 lm] [WUXGA]
PT-RW630 [6,500 lm] [WXGA]



PT-RZ470 [3,500 lm] [Full HD]
PT-RW430 [3,500 lm] [WXGA]



PT-RZ475 [3,000 lm] [Full HD]
*Availability varies depending on country



PT-RZ370 [3,500 lm] [Full HD]
PT-RW330 [3,500 lm] [WXGA]



PT-EZ770Z [6,500 lm] [WUXGA]
PT-EW730Z [7,000 lm] [WXGA]
PT-EX800Z [7,500 lm] [XGA]



PT-EZ580 [5,400 lm] [WUXGA]
PT-EW640 [5,800 lm] [WXGA]
PT-EX610 [6,200 lm] [XGA]



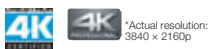
PT-VZ575N [4,800 lm] [WUXGA]
PT-VW535N [5,000 lm] [WXGA]
PT-VX605N [5,500 lm] [XGA]



PT-VW431D [4,300 lm] [WXGA]



4K UHD LCD Displays
TH-98LQ70 98-inch class [500 cd/m²]
TH-84LQ70 84-inch class [500 cd/m²]



Full HD LCD Displays
TH-55LF80 55-inch class [700 cd/m²]
TH-49LF80 49-inch class [700 cd/m²]
TH-42LF80 42-inch class [700 cd/m²]



Full HD LCD Displays
TH-55LF60 55-inch class [700 cd/m²]
TH-47LF60 47-inch class [700 cd/m²]
TH-42LF60 42-inch class [700 cd/m²]



Full HD LCD Displays
TH-55LF6 55-inch class [450 cd/m²]
TH-47LF6 47-inch class [450 cd/m²]
TH-42LF6 42-inch class [450 cd/m²]



Ultra Narrow Bezel LCD Display
TH-55LFV70 55-inch class [700 cd/m²]



Tough LCD Display
TH-47LFX60 47-inch class [2,000 cd/m²]
TH-47LFX6N 47-inch class [1,000 cd/m²]



Multi-Touch Screen LCD Display
TH-80LFB70 80-inch class [350 cd/m²]
TH-65LFB70 65-inch class [350 cd/m²]
TH-50LFB70 50-inch class [350 cd/m²]



Network LCD Display
TH-80LFC70 80-inch class [350 cd/m²]
TH-65LFC70 65-inch class [350 cd/m²]
TH-50LFC70 50-inch class [350 cd/m²]



Digital Interface Box



ET-YFB100G

DIGITAL LINK Switcher



ET-YFB200G

Multi Window Processor



ET-MWP100G

ET-MCQDL350 (sold separately) is required when using DIGITAL LINK board

Panasonic®



For more information, please visit the DIGITAL LINK website:
panasonic.net/prodisplays/solutions/technology/digital_link

Specifications and appearance are subject to change without notice. Product availability differs depending on region and country. This product may be subject to export control regulations. HDMI, the HDMI logo, and High-Definition Multimedia Interface are trademarks or registered trademarks of HDMI Licensing LLC in the United States and other countries. HDBaseT™ is a trademark of the HDBaseT Alliance. Crestron Digital Media 8G+ and Crestron Connected are trademarks of Crestron Electronics. XTP Systems is a trademark of Extron Electronics. All other trademarks are the property of their respective trademark owners. Projection images and images on screen are simulated. © 2015 Panasonic Corporation. All rights reserved.

All information included here is valid as of May 2015.

PT-DL05 Printed in Japan.